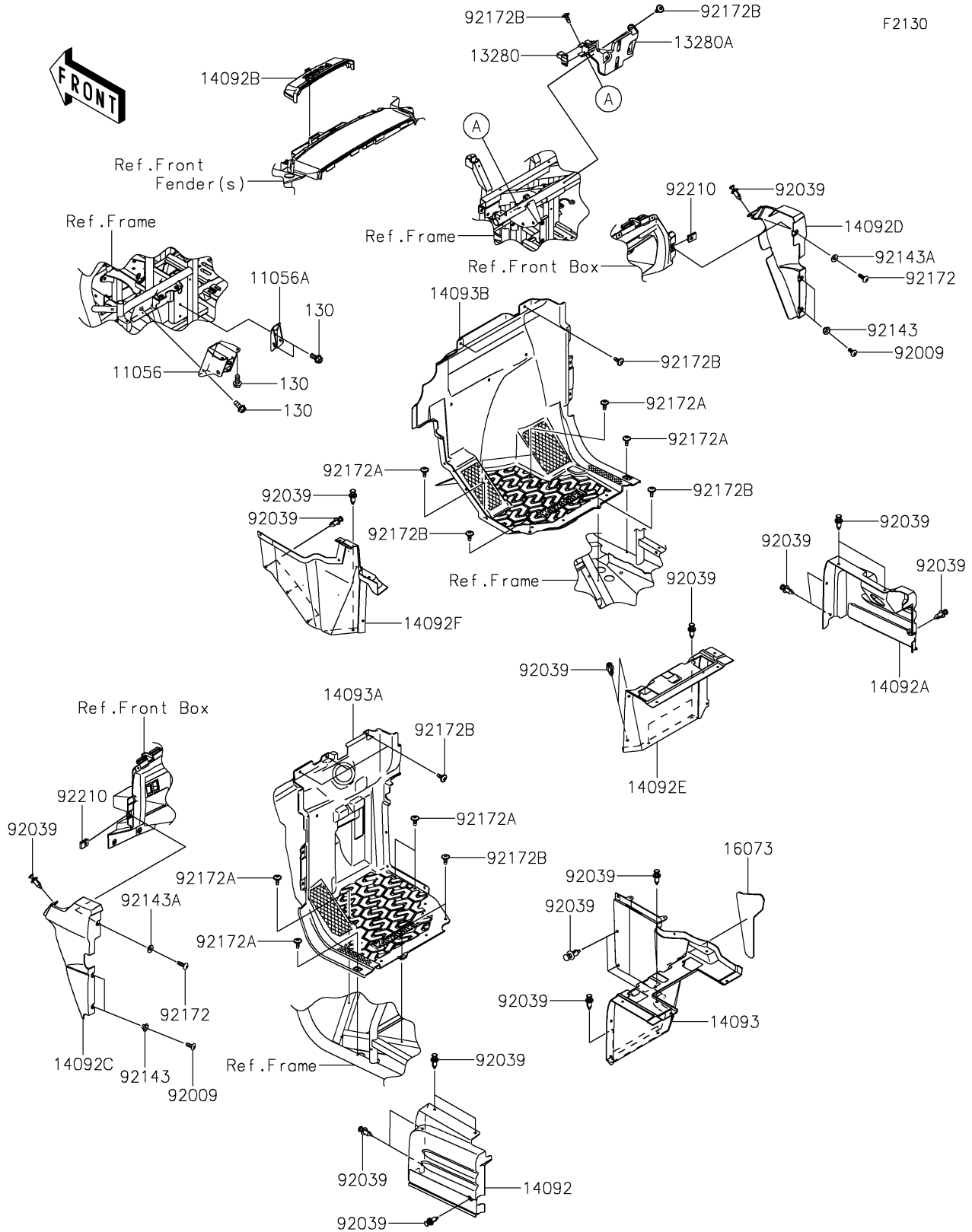


2024 TERYX® S LE PARTS DIAGRAM

Frame Fittings(Front)



2024 TERYX® S LE PARTS LIST

Frame Fittings(Front)

ITEM NAME	PART NUMBER	QUANTITY
BRACKET,BRAKE PEDAL (Ref # 11056)	11056-1431	1
BRACKET,THROTTLE PEDAL (Ref # 11056A)	11056-4408	1
HOLDER (Ref # 13280)	13280-0851	1
HOLDER,ECU (Ref # 13280A)	13280-0868	1
COVER,SEAT SIDE,LH (Ref # 14092)	14092-0720	1
COVER,SEAT SIDE,RH (Ref # 14092A)	14092-0721	1
COVER,FUSE BOX (Ref # 14092B)	14092-0724	1
COVER,SIDE GUARD,LH,S.BLACK (Ref # 14092C)	14092-0754-839	1
COVER,SIDE GUARD,RH,S.BLACK (Ref # 14092D)	14092-0755-839	1
COVER,FR SEAT,RH (Ref # 14092E)	14092-0757	1
COVER,FR SEAT,RH,CNT (Ref # 14092F)	14092-1083	1
COVER,FR SEAT,LH (Ref # 14093)	14093-0209	1
COVER,FR FLOOR,LH (Ref # 14093A)	14093-0550	1
COVER,FR FLOOR,RH (Ref # 14093B)	14093-0551	1
INSULATOR (Ref # 16073)	16073-0847	1
SCREW,TAPPING,6X16 (Ref # 92009)	92009-1166	4
RIVET (Ref # 92039)	92039-0776	26
COLLAR (Ref # 92143)	92143-1057	4
COLLAR (Ref # 92143A)	92143-1087	2
SCREW,TAPPING,6X20 (Ref # 92172)	92172-0488	2
SCREW,6X16 (Ref # 92172A)	92172-0711	8
SCREW,6X16 (Ref # 92172B)	92172-0826	11
NUT,LEAF SPRING,6MM (Ref # 92210)	92210-0624	2
BOLT-FLANGED,8X18 (Ref # 130)	130BA0818	5