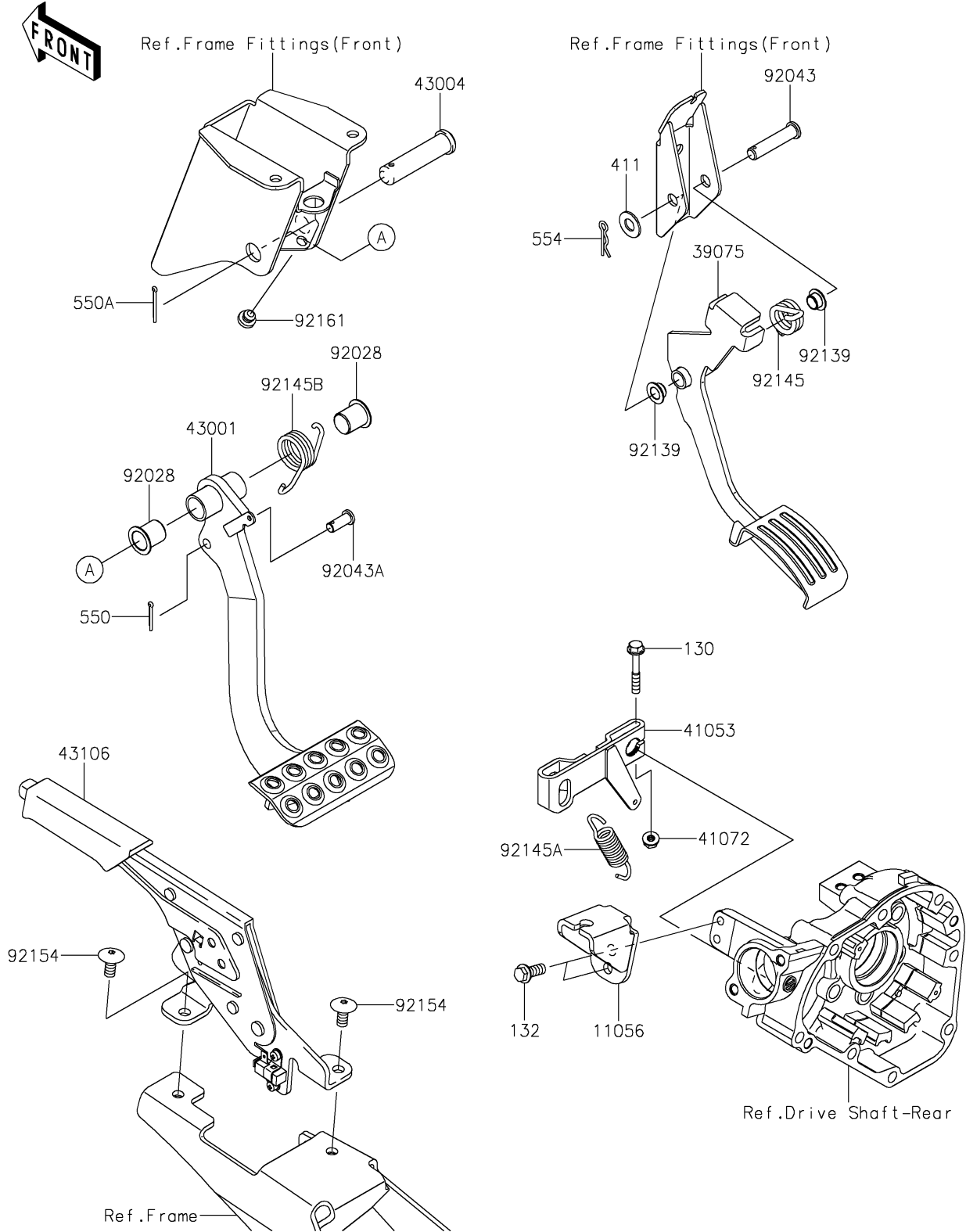


2025 Teryx S PARTS DIAGRAM

Brake Pedal/Throttle Lever

F2260



2025 Teryx S PARTS LIST

Brake Pedal/Throttle Lever

| ITEM NAME | PART NUMBER | QUANTITY |
|--|-------------|----------|
| BRACKET (Ref # 11056) | 11056-2267 | 1 |
| LEVER-THROTTLE (Ref # 39075) | 39075-0019 | 1 |
| LEVER-BRAKE CAM (Ref # 41053) | 41053-0023 | 1 |
| NUT,6MM (Ref # 41072) | 41072-007 | 1 |
| LEVER-BRAKE,PEDAL (Ref # 43001) | 43001-0739 | 1 |
| SHAFT-BRAKE (Ref # 43004) | 43004-1128 | 1 |
| LEVER-ASSY-PARKING BRAKE (Ref # 43106) | 43106-0009 | 1 |
| BUSHING (Ref # 92028) | 92028-1571 | 2 |
| PIN,10X42.5 (Ref # 92043) | 92043-0707 | 1 |
| PIN (Ref # 92043A) | 92043-1039 | 1 |
| BUSHING (Ref # 92139) | 92139-0230 | 2 |
| SPRING,THROTTLE (Ref # 92145) | 92145-0831 | 1 |
| SPRING,BRAKE CAM LEVER (Ref # 92145A) | 92145-0880 | 1 |
| SPRING,BRAKE PEDAL RETURN (Ref # 92145B) | 92145-1615 | 1 |
| BOLT-FLANGED,8X18 (Ref # 92154) | 92154-2692 | 2 |
| DAMPER (Ref # 92161) | 92161-1084 | 1 |
| BOLT-FLANGED,6X40 (Ref # 130) | 130CA0640 | 1 |
| BOLT-FLANGED-SMALL,8X20 (Ref # 132) | 132BA0820 | 2 |
| WASHER-PLAIN,10MM (Ref # 411) | 411AA1000 | 1 |
| PIN-COTTER,2.5X18 (Ref # 550) | 550AA2518 | 1 |
| PIN-COTTER,2.5X25 (Ref # 550A) | 550AA2525 | 1 |
| PIN-SNAP,10MM (Ref # 554) | 554DA1000 | 1 |