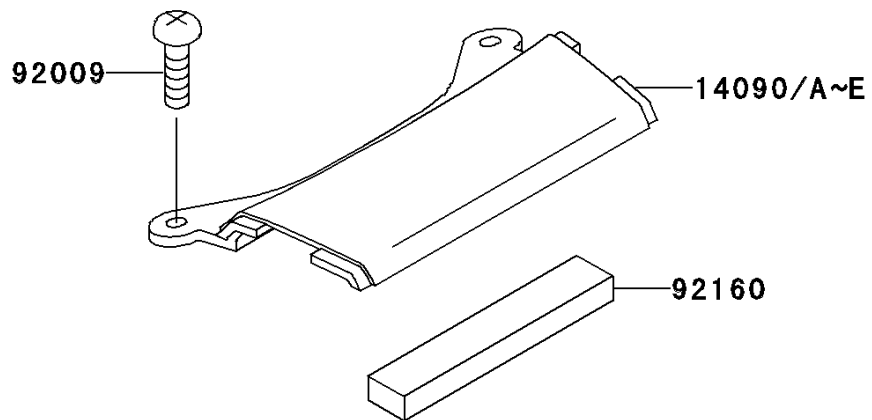
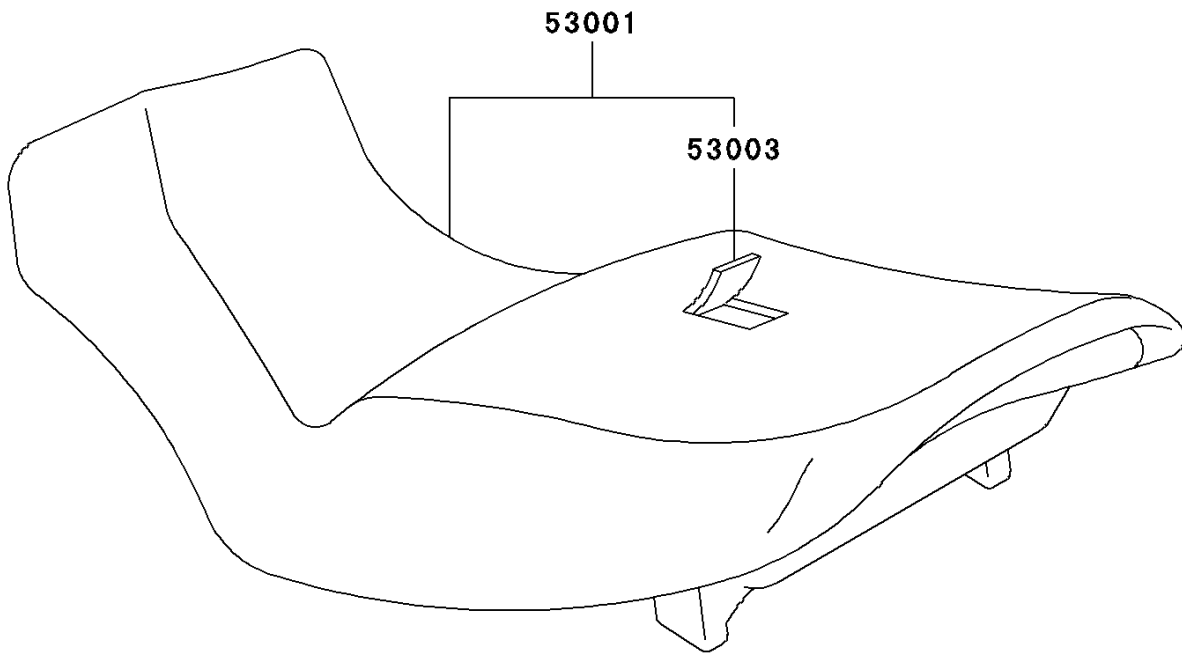


1995 Ninja® ZX™ -11 PARTS DIAGRAM

Seat

F2510



1995 Ninja® ZX™ -11 PARTS LIST

Seat

ITEM NAME	PART NUMBER	QUANTITY
SEAT-ASSY,DUAL,BLACK (Ref # 53001)	53001-1690-MA	1
LEATHER,SEAT,BLACK (Ref # 53003)	53003-1271-MA	1
SCREW,6X18,BLACK (Ref # 92009)	92009-1181	2
DAMPER (Ref # 92160)	92160-1430	1
COVER,TAIL,P.P.BLACK MICA (Ref # 14090C)	14090-1280-20	1
COVER,TAIL,P.P.BLACK MICA (Ref # 14090D)	14090-1280-5M	1