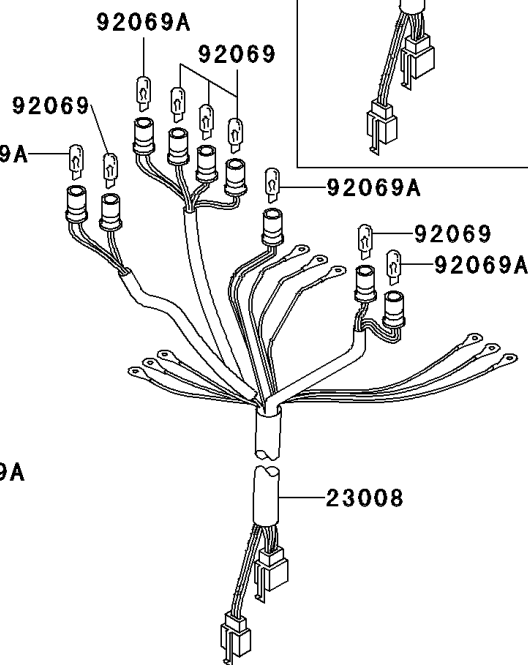
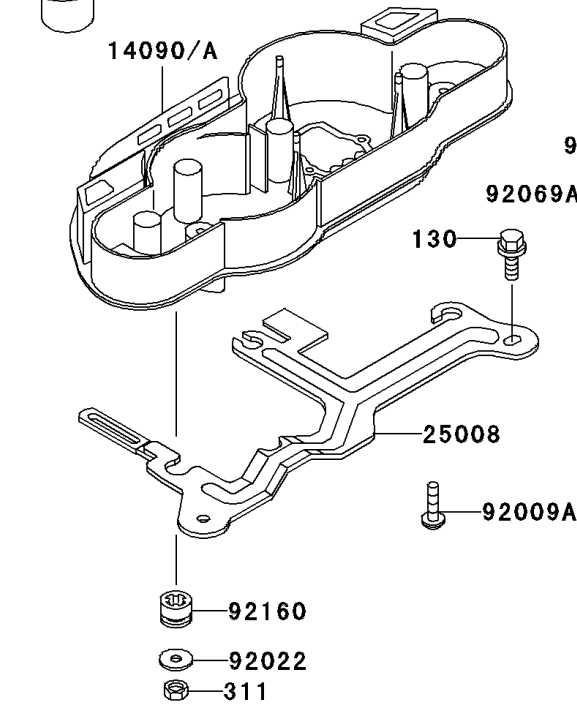
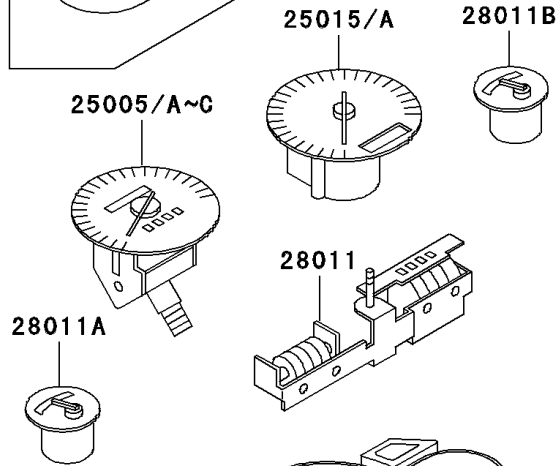
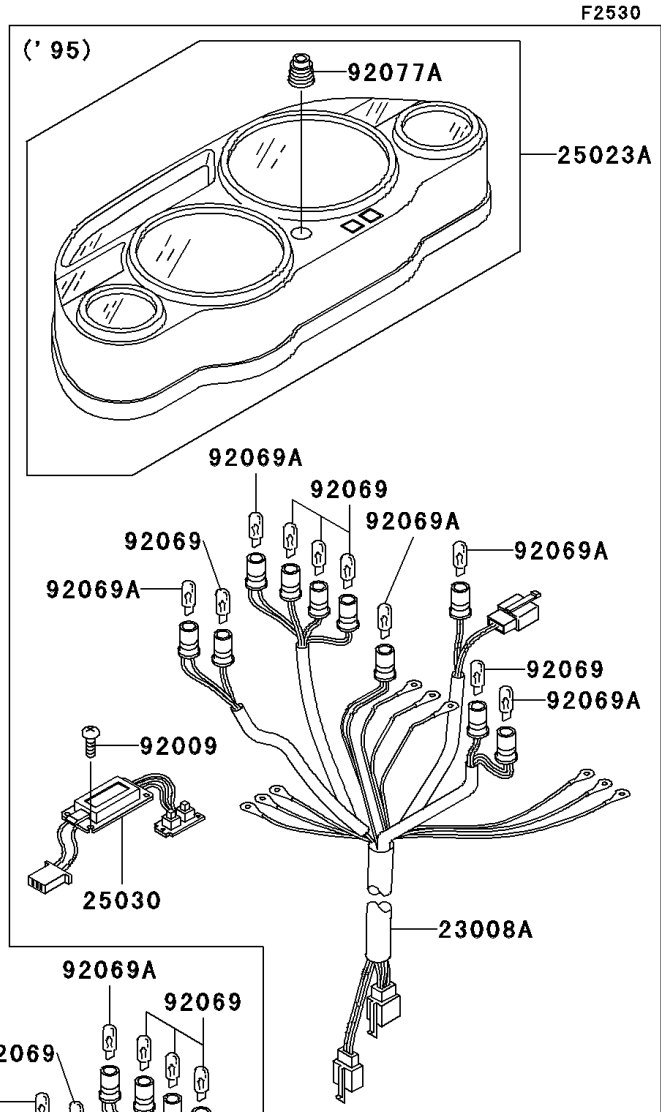
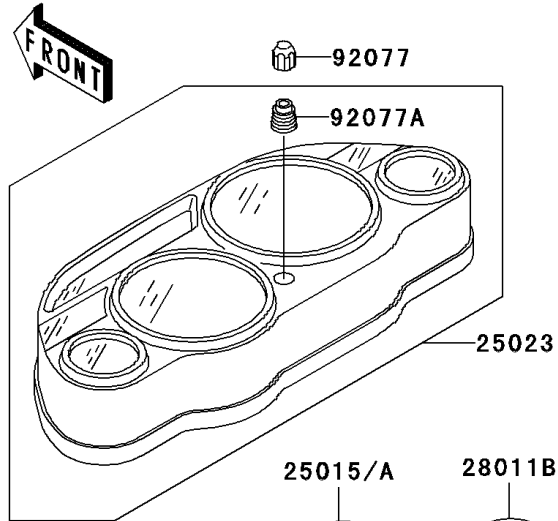


1995 Ninja® ZX™ -11 PARTS DIAGRAM

Meter(s)



1995 Ninja® ZX™ -11 PARTS LIST

Meter(s)

ITEM NAME	PART NUMBER	QUANTITY
BOLT-FLANGED,6X14,BLACK (Ref # 130)	130J0614	2
NUT-HEX,6MM (Ref # 311)	311B0600	3
COVER,METER HOUSING (Ref # 14090A)	14090-1541	1
SOCKET-ASSY,METER (Ref # 23008A)	23008-1543	1
BRACKET-METER (Ref # 25008)	25008-1199	1
TACHOMETER,X1000R/MIN (Ref # 25015A)	25015-1333	1
COVER-METER CASE,UPP (Ref # 25023A)	25023-1219	1
CLOCK,DIGITAL (Ref # 25030)	25030-1003	1
METER,FUEL (Ref # 28011A)	28011-1131	1
METER,TEMP (Ref # 28011B)	28011-1132	1
SCREW,TAPPING,3X12 (Ref # 92009)	92009-1255	2
SCREW,TAPPING,4X14 (Ref # 92009A)	92009-1503	4
WASHER,6.2X18X1.2 (Ref # 92022)	92022-1369	3
BULB,12V 3.4W (Ref # 92069)	92069-1007	5
BULB,12V 1.7W (Ref # 92069A)	92069-1059	5
KNOB,TRIP RESET (Ref # 92077)	92077-1094	1
KNOB,TRIP RESET (Ref # 92077A)	92077-1112	1
DAMPER (Ref # 92160)	92160-1461	3
SPEEDOMETER,MPH (Ref # 25005B)	25005-1580	1
SPEEDOMETER,KPH (Ref # 25005C)	25005-1581	1