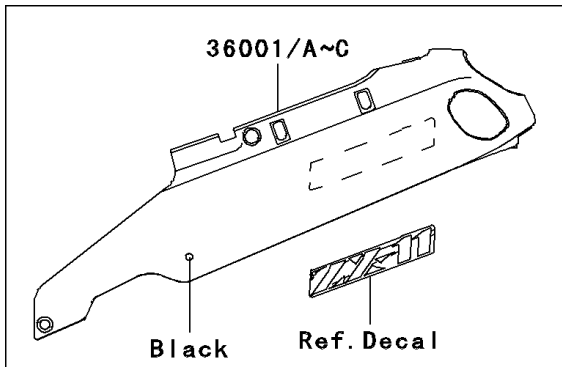
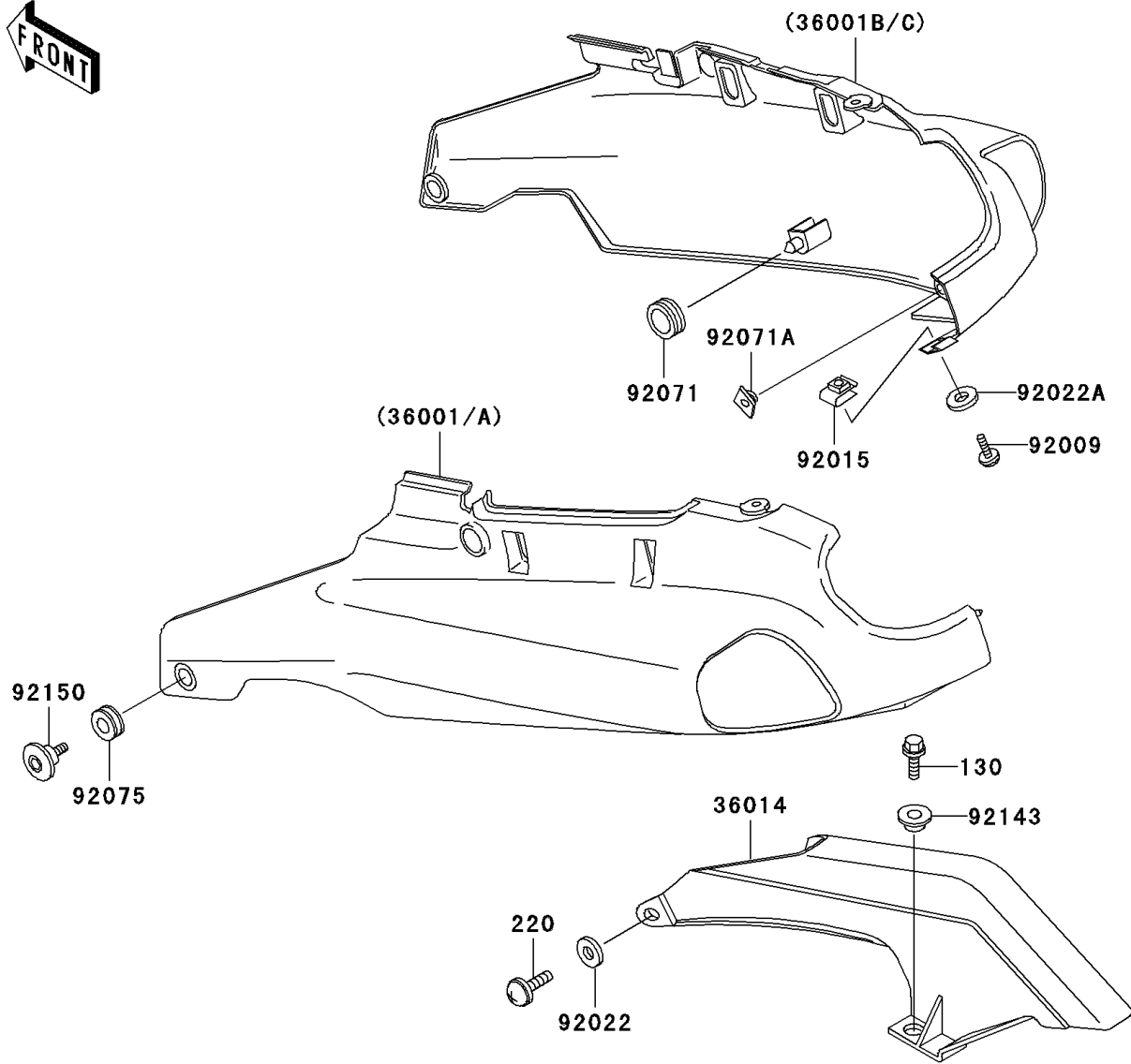


# 1994 Ninja® ZX™ -11 PARTS DIAGRAM

Side Covers/Chain Cover(ZX1100-D2)

F2610A



# 1994 Ninja® ZX™-11 PARTS LIST

Side Covers/Chain Cover(ZX1100-D2)

ITEM NAME	PART NUMBER	QUANTITY
CASE-CHAIN (Ref # 36014)	36014-1188	1
SCREW,5X16 (Ref # 92009)	92009-1654	1
NUT,5MM (Ref # 92015)	92015-1798	1
WASHER,6.5X20X1.6,BLACK (Ref # 92022)	92022-1346	1
WASHER,NYLON,5.3X11.5X1.5 (Ref # 92022A)	92022-1521	1
GROMMET (Ref # 92071)	92071-1131	2
GROMMET (Ref # 92071A)	92071-1214	1
DAMPER (Ref # 92075)	92075-1634	2
COLLAR,L=6.6 (Ref # 92143)	92143-1088	1
BOLT,SOCKET,6MM (Ref # 92150)	92150-1154	2
BOLT-FLANGED,6X14,BLACK (Ref # 130)	130J0614	1
SCREW-PAN-CROS,6X16,BLACK (Ref # 220)	220C0616	1
COVER-SIDE,LH,P.G.BLACK (Ref # 36001)	36001-1501-RL	1
COVER-SIDE,P.G.BLACK (Ref # 36001A)	36001-1501-86	1
COVER-SIDE,RH,P.G.BLACK (Ref # 36001B)	36001-1502-RL	1
COVER-SIDE,P.G.BLACK (Ref # 36001C)	36001-1502-86	1