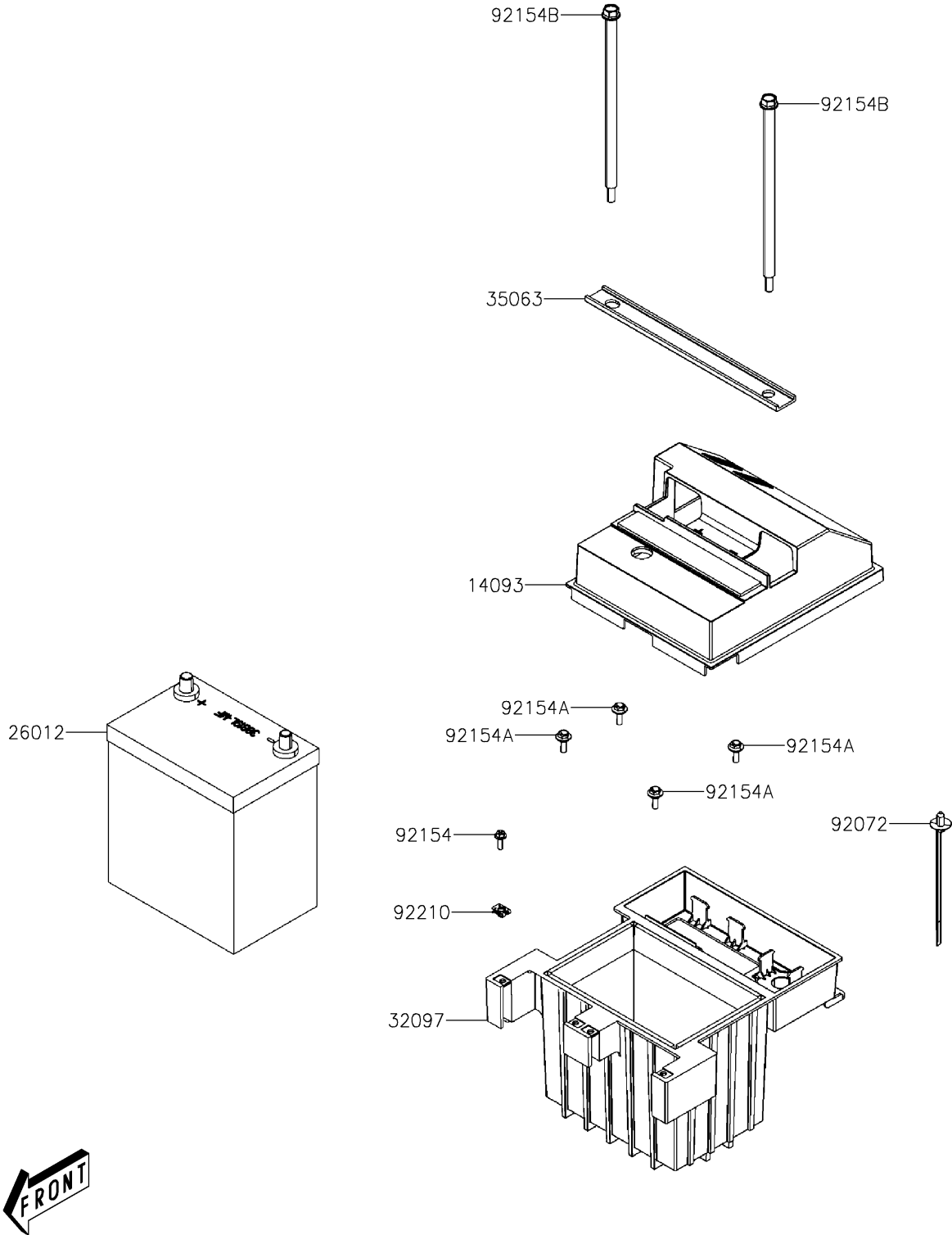


2024 MULE PRO-MX™ LE PARTS DIAGRAM

Battery

F2761



2024 MULE PRO-MX™ LE PARTS LIST

Battery

ITEM NAME	PART NUMBER	QUANTITY
COVER,BATTERY (Ref # 14093)	14093-Y009	1
BATTERY,38B19L-MF (Ref # 26012)	26012-Y006	1
CASE-BATTERY (Ref # 32097)	32097-Y002	1
STAY,BATTERY BAR (Ref # 35063)	35063-Y041	1
BAND (Ref # 92072)	92072-Y020	5
BOLT,5X16 (Ref # 92154)	92154-Y085	4
BOLT,6X18 (Ref # 92154A)	92154-Y177	4
BOLT,FLANGE,8X235 (Ref # 92154B)	92154-Y201	2
NUT,5MM (Ref # 92210)	92210-Y016	4