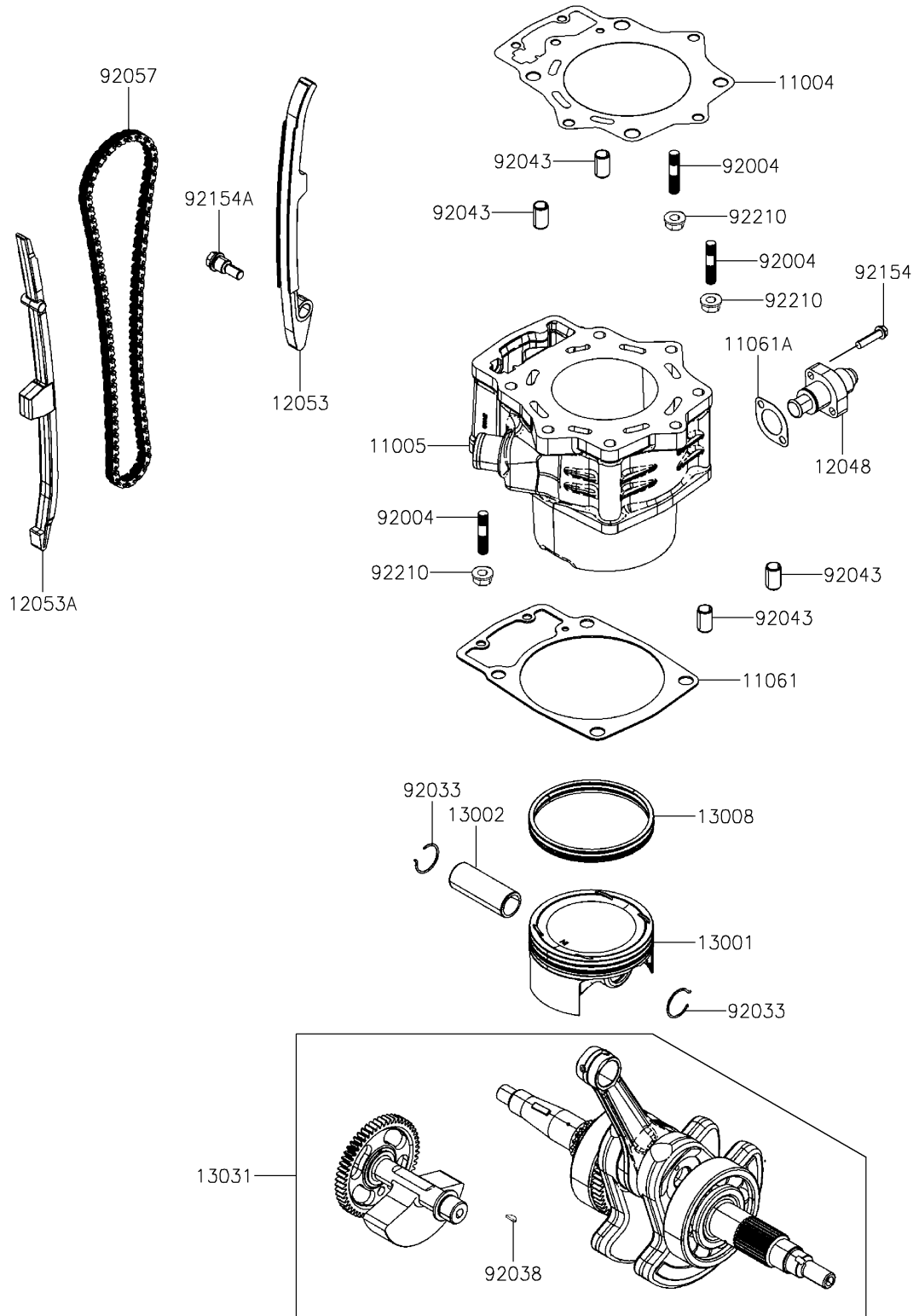


2022 MULE PRO-MX™ SE PARTS DIAGRAM

Cylinder/Piston(s)

E1120



2022 MULE PRO-MX™ SE PARTS LIST

Cylinder/Piston(s)

| ITEM NAME | PART NUMBER | QUANTITY |
|---|-------------|----------|
| GASKET-HEAD (Ref # 11004) | 11004-Y006 | 1 |
| CYLINDER-ENGINE (Ref # 11005) | 11005-Y006 | 1 |
| GASKET,CYLINDER BASE (Ref # 11061) | 11061-Y062 | 1 |
| GASKET,TENSIONER (Ref # 11061A) | 11061-Y063 | 1 |
| TENSIONER-ASSY (Ref # 12048) | 12048-Y007 | 1 |
| GUIDE-CHAIN,TENSIONER (Ref # 12053) | 12053-Y011 | 1 |
| GUIDE-CHAIN,CAM CHAIN (Ref # 12053A) | 12053-Y012 | 1 |
| PISTON-ENGINE (Ref # 13001) | 13001-Y006 | 1 |
| PIN-PISTON (Ref # 13002) | 13002-Y006 | 1 |
| RING-SET-PISTON (Ref # 13008) | 13008-Y006 | 1 |
| CRANKSHAFT-COMP (Ref # 13031) | 13031-Y006 | 1 |
| STUD,8X40 (Ref # 92004) | 92004-Y019 | 3 |
| RING-SNAP (Ref # 92033) | 92033-Y044 | 2 |
| KEY,WOODRUFF (Ref # 92038) | 92038-Y004 | 1 |
| PIN,12X20 (Ref # 92043) | 92043-Y027 | 4 |
| CHAIN,CAM (Ref # 92057) | 92057-Y011 | 1 |
| BOLT,FLANGE,6X25 (Ref # 92154) | 92154-Y066 | 2 |
| BOLT,CAM CHAIN TENSIONER (Ref # 92154A) | 92154-Y164 | 1 |
| NUT,8MM (Ref # 92210) | 92210-Y028 | 3 |