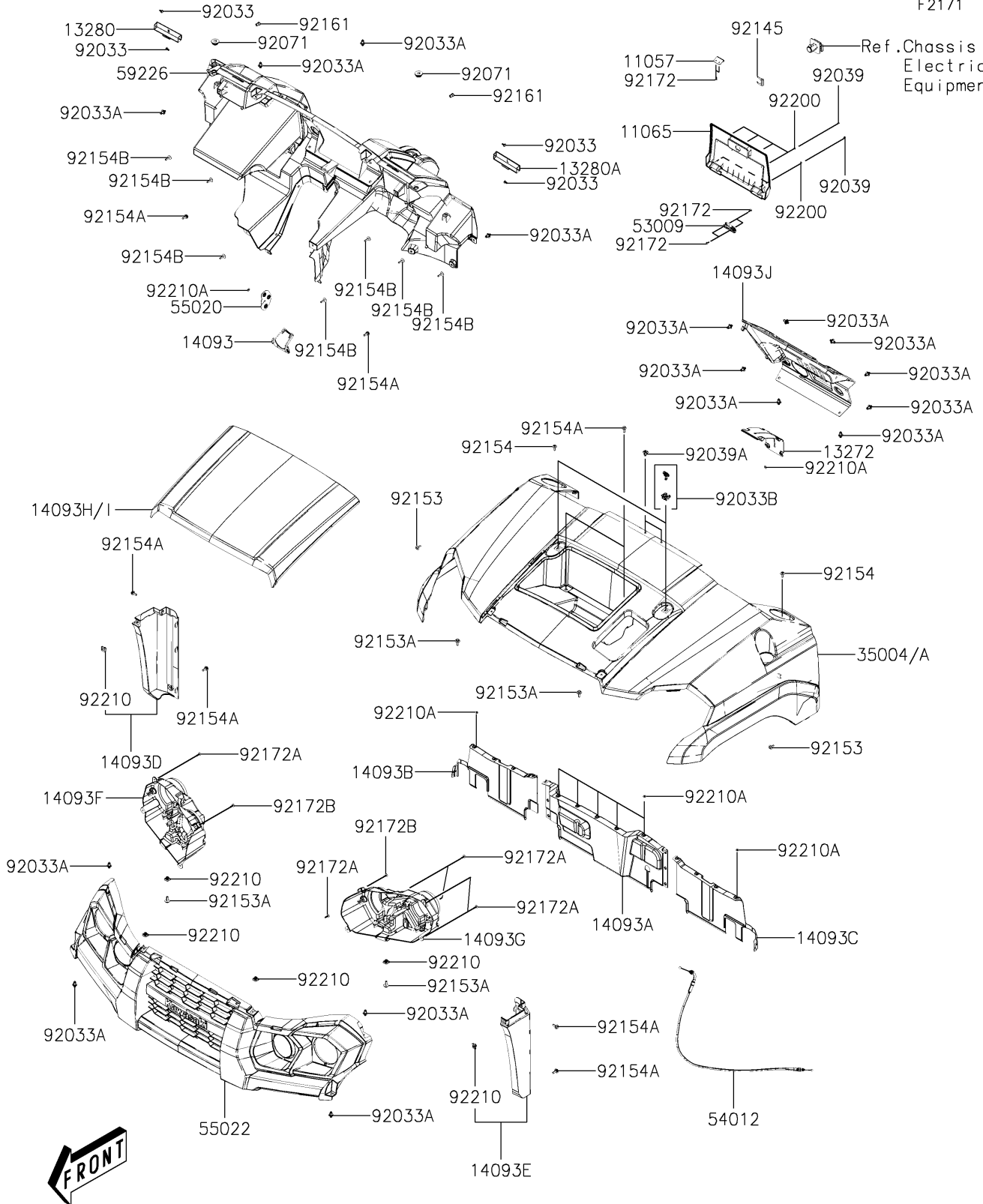


# 2025 MULE PRO-MX™ SE PARTS DIAGRAM

## Front Fender(s)

F2171

Ref. Chassis  
Electrical  
Equipment



## 2025 MULE PRO-MX™ SE PARTS LIST

### Front Fender(s)

ITEM NAME	PART NUMBER	QUANTITY
BRACKET,COVER (Ref # 11057)	11057-Y017	1
CAP,GLOVE BOX,S.BLACK (Ref # 11065)	11065-Y040-933	1
PLATE,SHIFT LEVER (Ref # 13272)	13272-Y031	1
HOLDER,CUP,RH,S.BLACK (Ref # 13280)	13280-Y021-933	1
HOLDER,CUP,LH,S.BLACK (Ref # 13280A)	13280-Y022-933	1
COVER,CONTROL PANEL,S.BLACK (Ref # 14093)	14093-Y011-933	1
COVER,SPLASH GUARD (Ref # 14093A)	14093-Y012	1
COVER,SPLASH GUARD,RH (Ref # 14093B)	14093-Y013	1
COVER,SPLASH GUARD,LH (Ref # 14093C)	14093-Y014	1
COVER,SIDE PANEL,RH,S.BLACK (Ref # 14093D)	14093-Y015-933	1
COVER,SIDE PANEL,LH,S.BLACK (Ref # 14093E)	14093-Y016-933	1
COVER,HEAD LIGHT,RH,S.BLACK (Ref # 14093F)	14093-Y020-933	1
COVER,HEAD LIGHT,LH,S.BLACK (Ref # 14093G)	14093-Y021-933	1
COVER,HOOD,B.SILVER (Ref # 14093H)	14093-Y056-978	1
COVER,HOOD,L.GOLD (Ref # 14093I)	14093-Y056-987	1
COVER,CNT,S.BLACK (Ref # 14093J)	14093-Y059-933	1
FENDER-FRONT,B.SILVER (Ref # 35004)	35004-Y012-978	1
FENDER-FRONT,L.GOLD (Ref # 35004A)	35004-Y012-987	1
HINGE,LID (Ref # 53009)	53009-Y001	2
CABLE-THROTTLE (Ref # 54012)	54012-Y008	1
GUARD,CONTROL PANEL (Ref # 55020)	55020-Y012	1
COVER-HEAD LAMP,S.BLACK (Ref # 55022)	55022-Y003-933	1
PANEL-CONTROL,S.BLACK (Ref # 59226)	59226-Y002-933	1
RIVET (Ref # 92033)	92033-Y032	4
RING-SNAP (Ref # 92033A)	92033-Y033	16
RING-SNAP (Ref # 92033B)	92033-Y034	2
RIVET,3.2X9.8 (Ref # 92039)	92039-Y001	6
RIVET (Ref # 92039A)	92039-Y006	2
GROMMET (Ref # 92071)	92071-Y005	2

## 2025 MULE PRO-MX™ SE PARTS LIST

### Front Fender(s)

ITEM NAME	PART NUMBER	QUANTITY
SPRING,SET (Ref # 92145)	92145-Y067	1
BOLT,5X16 (Ref # 92153)	92153-Y013	2
BOLT,6X20 (Ref # 92153A)	92153-Y019	4
BOLT,5X16 (Ref # 92154)	92154-Y030	2
BOLT,6X18 (Ref # 92154A)	92154-Y177	8
BOLT,5X22 (Ref # 92154B)	92154-Y186	7
DAMPER (Ref # 92161)	92161-Y054	2
SCREW,4X12 (Ref # 92172)	92172-Y019	10
SCREW,TAPPING,5X16 (Ref # 92172A)	92172-Y020	10
SCREW,TAPPING,5X12 (Ref # 92172B)	92172-Y038	2
WASHER,3MM (Ref # 92200)	92200-Y017	6
NUT,6MM (Ref # 92210)	92210-Y011	6
NUT (Ref # 92210A)	92210-Y080	24