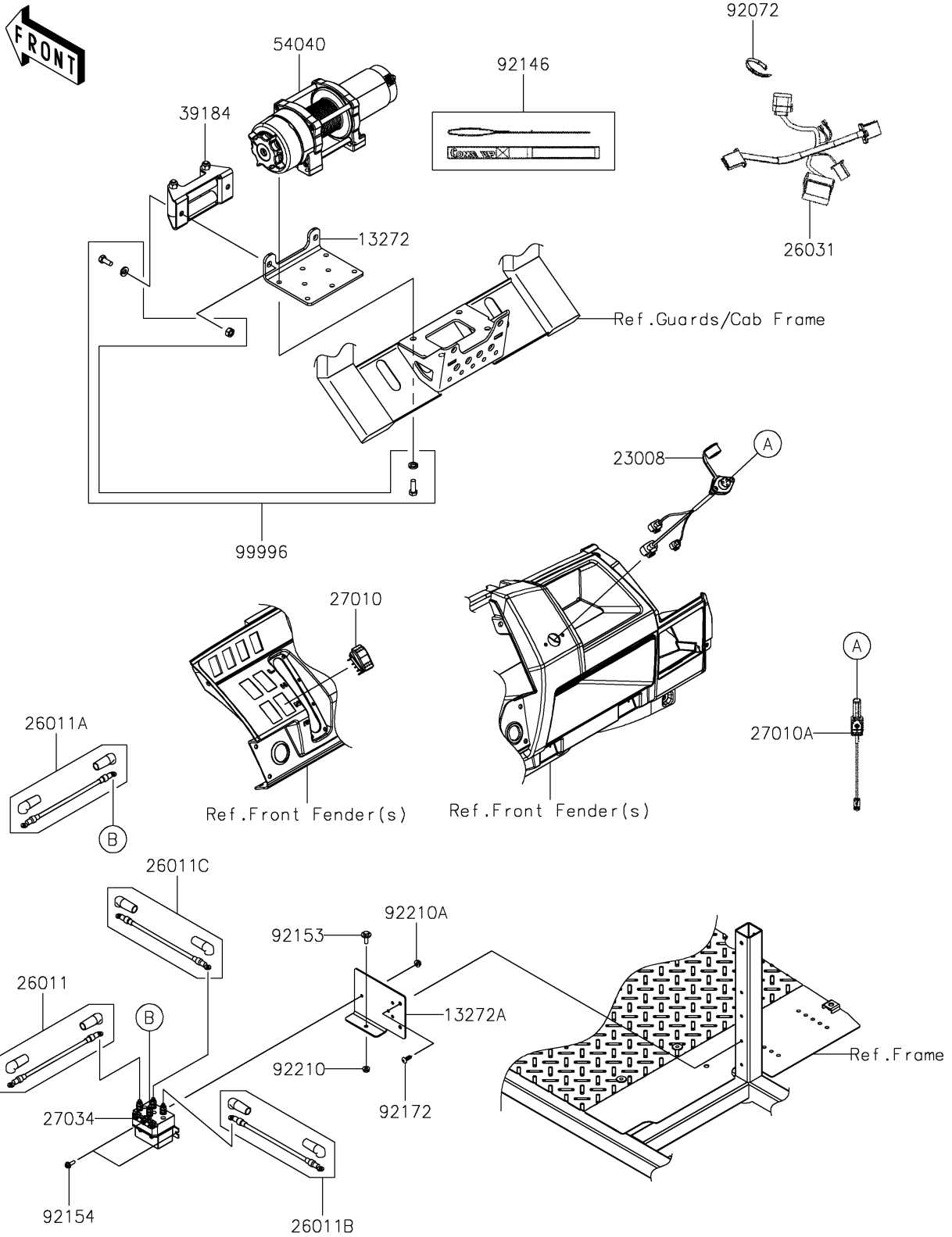


2023 MULE PRO-MX™ SE PARTS DIAGRAM

Other(FNFNN-PPFNL)

F2750



2023 MULE PRO-MX™ SE PARTS LIST

Other(FNFNN-FPFNL)

ITEM NAME	PART NUMBER	QUANTITY
PLATE,WINCH (Ref # 13272)	13272-Y040	1
PLATE,WINCH CONTACTOR (Ref # 13272A)	13272-Y041	1
SOCKET-ASSY,REMOTE (Ref # 23008)	23008-Y019	1
WIRE-LEAD,BLACK (Ref # 26011)	26011-Y016	1
WIRE-LEAD,RED (Ref # 26011A)	26011-Y017	1
WIRE-LEAD,BLUE (Ref # 26011B)	26011-Y018	1
WIRE-LEAD,GREEN (Ref # 26011C)	26011-Y019	1
HARNESS,WINCH (Ref # 26031)	26031-Y024	1
SWITCH,WINCH (Ref # 27010)	27010-Y023	1
SWITCH,REMOTE (Ref # 27010A)	27010-Y024	1
RELAY,WINCH (Ref # 27034)	27034-Y001	1
BRACKET-ASSY,WINCH (Ref # 39184)	39184-Y002	1
WINCH (Ref # 54040)	54040-Y002	1
BAND (Ref # 92072)	92072-Y011	15
STRAP,RED (Ref # 92146)	92146-Y001	1
BOLT,6X20 (Ref # 92153)	92153-Y019	1
BOLT,5X16 (Ref # 92154)	92154-Y085	2
SCREW,TAPPING,6X20 (Ref # 92172)	92172-Y089	2
NUT,6MM (Ref # 92210)	92210-Y027	1
NUT,FLANGE,5MM (Ref # 92210A)	92210-Y033	2
KIT,WINCH HARDWARE (Ref # 99996)	99996-Y003	1