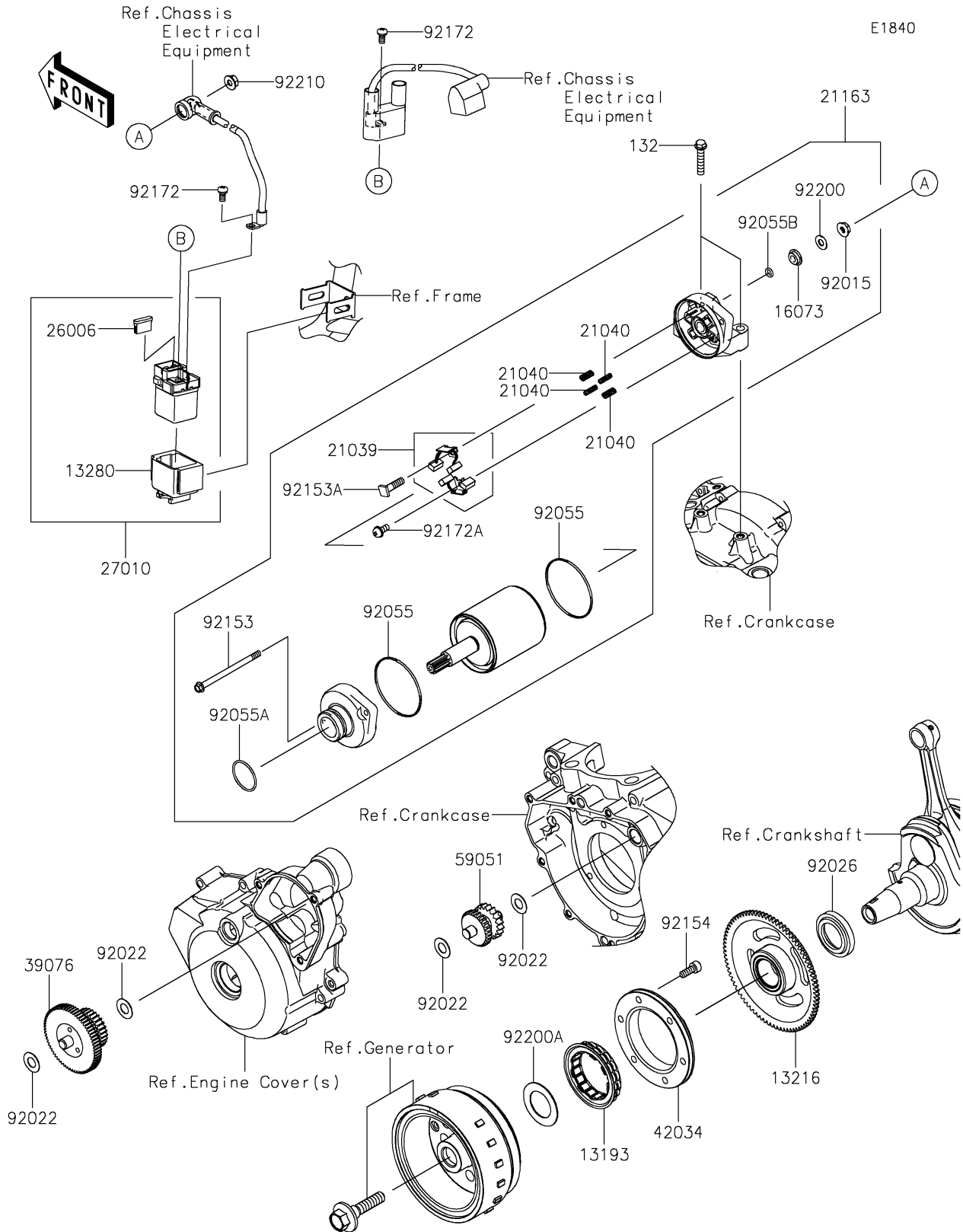


2024 KLX® 300R PARTS DIAGRAM

Starter Motor



2024 KLX®300R PARTS LIST

Starter Motor

| ITEM NAME | PART NUMBER | QUANTITY |
|---|-------------|----------|
| CLUTCH-ASSY-ONEWAY (Ref # 13193) | 13193-0007 | 1 |
| GEAR-COMP,ONEWAY CLUTCH (Ref # 13216) | 13216-1148 | 1 |
| HOLDER (Ref # 13280) | 13280-0818 | 1 |
| INSULATOR (Ref # 16073) | 16073-0053 | 1 |
| BRUSH,CARBON (Ref # 21039) | 21039-0004 | 1 |
| SPRING-BRUSH (Ref # 21040) | 21040-0003 | 4 |
| STARTER-ELECTRIC (Ref # 21163) | 21163-0046 | 1 |
| FUSE,BLADE,20A,YELLOW (Ref # 26006) | 26006-1051 | 1 |
| SWITCH (Ref # 27010) | 27010-0765 | 1 |
| LIMITER,STARTER IDLE GEAR (Ref # 39076) | 39076-0020 | 1 |
| COUPLING (Ref # 42034) | 42034-0048 | 1 |
| GEAR-SPUR,IDLE (Ref # 59051) | 59051-0785 | 1 |
| NUT,STARTER MOTOR (Ref # 92015) | 92015-1476 | 1 |
| WASHER,10.2X20X0.5 (Ref # 92022) | 92022-1649 | 4 |
| SPACER (Ref # 92026) | 92026-0762 | 1 |
| RING-O (Ref # 92055) | 92055-0136 | 2 |
| RING-O (Ref # 92055A) | 92055-1276 | 1 |
| RING-O,4.5X2.0 (Ref # 92055B) | 92055-1370 | 1 |
| BOLT (Ref # 92153) | 92153-1850 | 2 |
| BOLT (Ref # 92153A) | 92153-1866 | 1 |
| BOLT,SOCKET,6X16 (Ref # 92154) | 92154-0235 | 6 |
| SCREW-PAN-WS-CROS,5X10 (Ref # 92172) | 92172-0234 | 2 |
| SCREW (Ref # 92172A) | 92172-0334 | 1 |
| WASHER (Ref # 92200) | 92200-0386 | 1 |
| WASHER,27.2X44X1 (Ref # 92200A) | 92200-0908 | 1 |
| NUT,6MM (Ref # 92210) | 92210-0188 | 1 |
| BOLT-FLANGED-SMALL,6X30 (Ref # 132) | 132BC0630 | 2 |