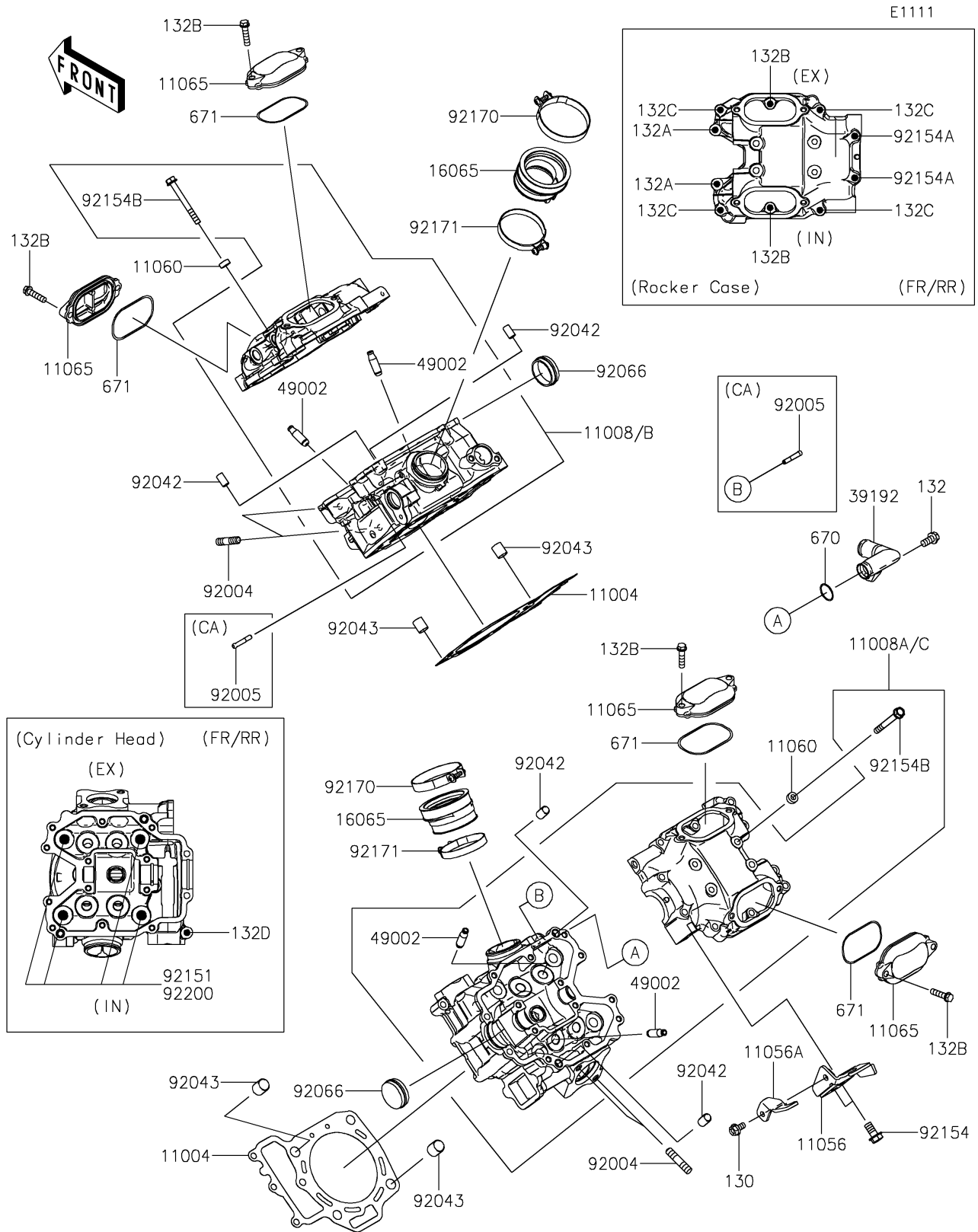


2025 TERYX4™ S SE PARTS DIAGRAM

Cylinder Head



2025 TERYX4™ S SE PARTS LIST

Cylinder Head

| ITEM NAME | PART NUMBER | QUANTITY |
|--------------------------------------|-------------|----------|
| GASKET-HEAD (Ref # 11004) | 11004-0713 | 2 |
| BRACKET (Ref # 11056) | 11056-1410 | 1 |
| BRACKET (Ref # 11056A) | 11056-1411 | 1 |
| GASKET,6.2X12X0.3 (Ref # 11060) | 11060-1994 | 8 |
| CAP,ROCKER CASE (Ref # 11065) | 11065-0724 | 4 |
| HOLDER-CARBURETOR (Ref # 16065) | 16065-0118 | 2 |
| PIPE-WATER,RR (Ref # 39192) | 39192-0119 | 1 |
| GUIDE-VALVE (Ref # 49002) | 49002-0706 | 8 |
| STUD,8X22 (Ref # 92004) | 92004-1217 | 4 |
| PIN,DOWEL,6.3X8X14 (Ref # 92042) | 92042-007 | 4 |
| PIN,10.1X12X14 (Ref # 92043) | 92043-4009 | 4 |
| PLUG (Ref # 92066) | 92066-0904 | 2 |
| BOLT,FLANGED,10X150 (Ref # 92151) | 92151-1917 | 8 |
| BOLT,FLANGED,8X20 (Ref # 92154) | 92154-0885 | 2 |
| BOLT,FLANGED,6X130 (Ref # 92154A) | 92154-0993 | 4 |
| BOLT,FLANGED,6X55 (Ref # 92154B) | 92154-7447 | 8 |
| CLAMP (Ref # 92170) | 92170-1448 | 2 |
| CLAMP (Ref # 92171) | 92171-0722 | 2 |
| WASHER,11.5X20.5X1.6 (Ref # 92200) | 92200-1128 | 8 |
| BOLT-FLANGED,6X12 (Ref # 130) | 130BA0612 | 1 |
| BOLT-FLANGED-SMALL,6X12 (Ref # 132) | 132BA0612 | 1 |
| BOLT-FLANGED-SMALL,6X20 (Ref # 132A) | 132BA0620 | 4 |
| BOLT-FLANGED-SMALL,6X25 (Ref # 132B) | 132BA0625 | 12 |
| BOLT-FLANGED-SMALL,6X30 (Ref # 132C) | 132BA0630 | 8 |
| BOLT-FLANGED-SMALL,6X95 (Ref # 132D) | 132BA0695 | 2 |
| O RING,16MM (Ref # 670) | 670B2016 | 1 |
| O RING,55MM (Ref # 671) | 671D2555 | 4 |