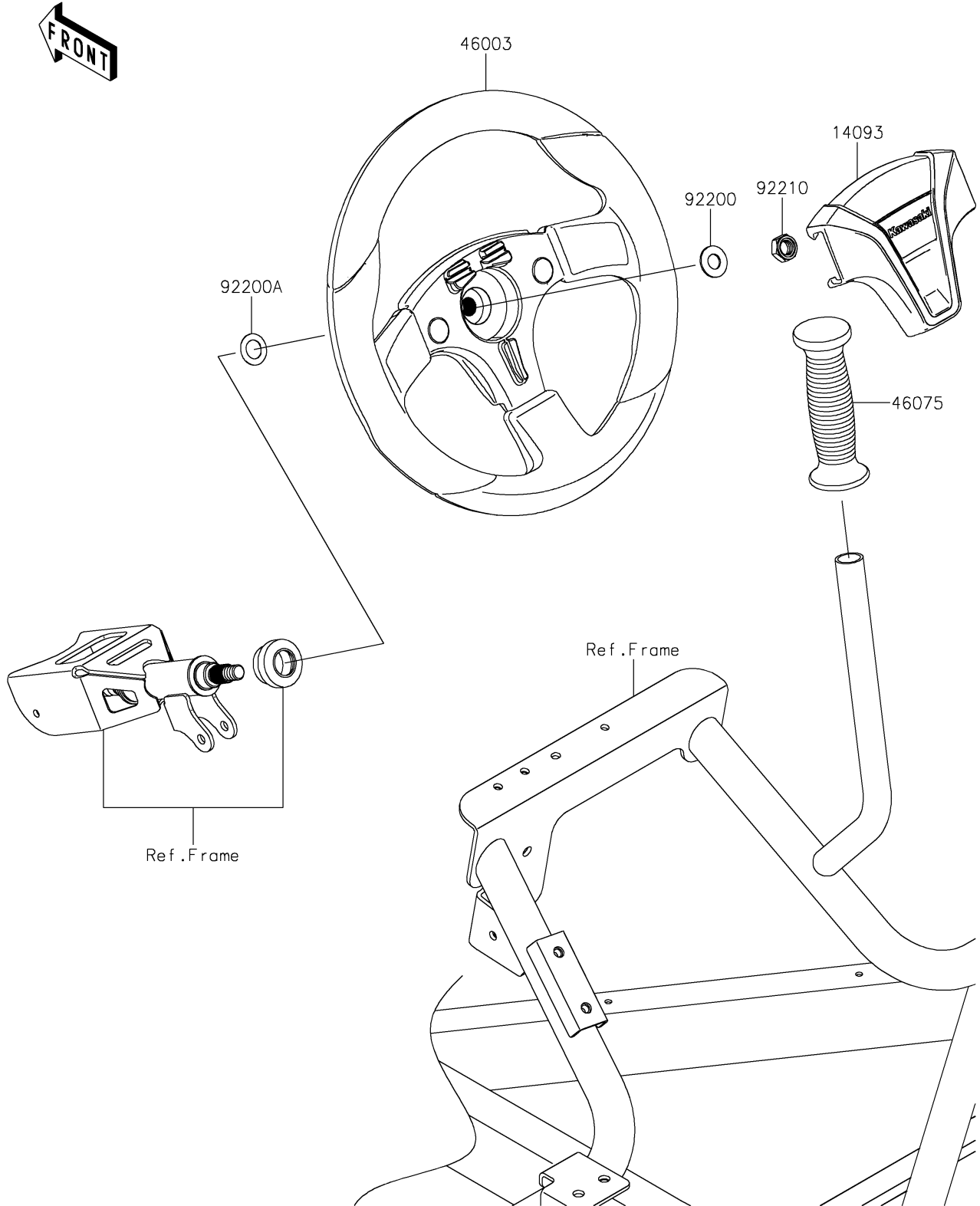


2023 TERYX4™ S SPECIAL EDITION PARTS DIAGRAM

Steering Wheel

F2311



2023 TERYX4™ S SPECIAL EDITION PARTS LIST

Steering Wheel

| ITEM NAME | PART NUMBER | QUANTITY |
|----------------------------------|-------------|----------|
| COVER,HANDLE (Ref # 14093) | 14093-0803 | 1 |
| HANDLE (Ref # 46003) | 46003-0809 | 1 |
| GRIP (Ref # 46075) | 46075-0582 | 1 |
| WASHER,12.1X25X1.6 (Ref # 92200) | 92200-0455 | 1 |
| WASHER,15X25X1.6 (Ref # 92200A) | 92200-0460 | 1 |
| NUT,LOCK,12MM (Ref # 92210) | 92210-1249 | 1 |