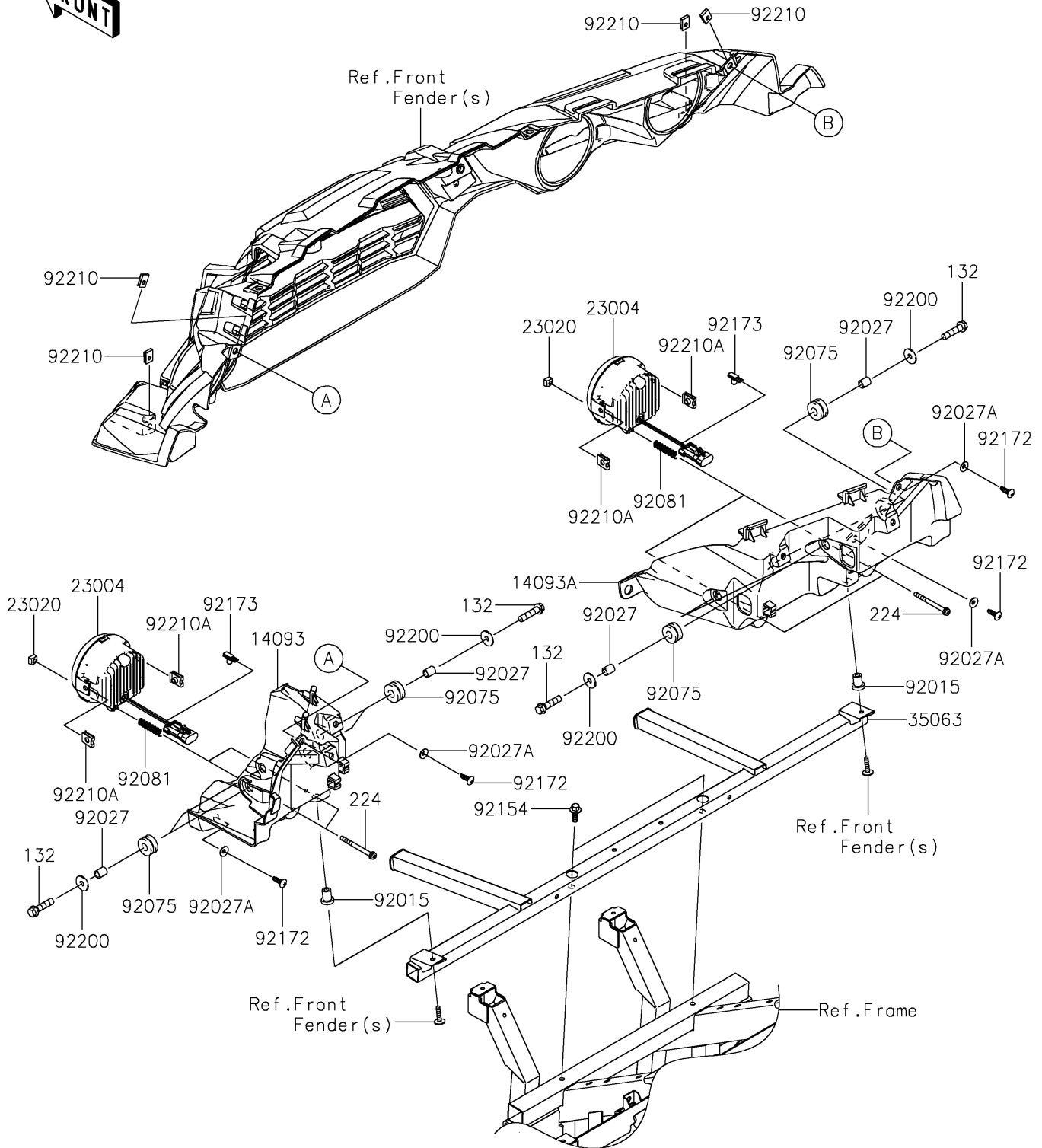


2024 TERYX4™ S SE PARTS DIAGRAM

Headlight(s)

F2710



2024 TERYX4™ S SE PARTS LIST

Headlight(s)

| ITEM NAME | PART NUMBER | QUANTITY |
|-------------------------------------|-------------|----------|
| COVER,HEADLIGHT,LH (Ref # 14093) | 14093-0207 | 1 |
| COVER,HEADLIGHT,RH (Ref # 14093A) | 14093-0208 | 1 |
| LAMP-HEAD (Ref # 23004) | 23004-0370 | 4 |
| NUT,4MM,FOCUS ADJUST (Ref # 23020) | 23020-018 | 4 |
| STAY,HEADLAMP (Ref # 35063) | 35063-1405 | 1 |
| NUT,RUBBER,6MM (Ref # 92015) | 92015-1692 | 2 |
| COLLAR,6.8X10X12 (Ref # 92027) | 92027-162 | 8 |
| COLLAR (Ref # 92027A) | 92027-4020 | 4 |
| DAMPER,10X24X12 (Ref # 92075) | 92075-1690 | 8 |
| SPRING,FOCUS ADJUST (Ref # 92081) | 92081-1896 | 4 |
| BOLT,FLANGED,8X20 (Ref # 92154) | 92154-1226 | 2 |
| SCREW,TAPPING,6X20 (Ref # 92172) | 92172-0883 | 4 |
| CLAMP (Ref # 92173) | 92173-1491 | 4 |
| WASHER,6.5X20X1.6 (Ref # 92200) | 92200-0283 | 8 |
| NUT,LEAF SPRING,6MM (Ref # 92210) | 92210-0624 | 4 |
| NUT (Ref # 92210A) | 92210-1125 | 8 |
| BOLT-FLANGED-SMALL,6X25 (Ref # 132) | 132BA0625 | 8 |
| SCREW-PAN-WP-CROS,4X45 (Ref # 224) | 224AA0445 | 4 |