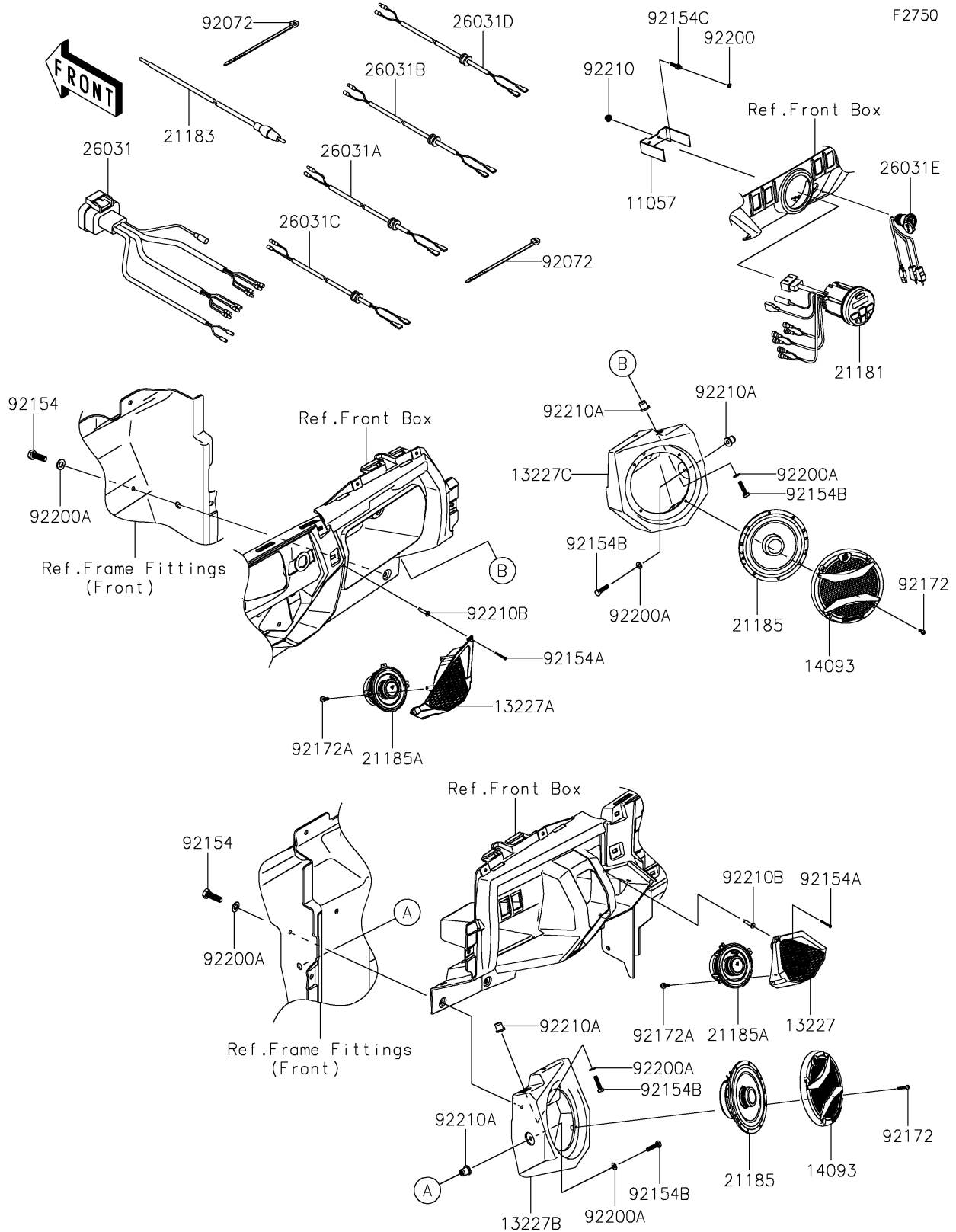


2024 TERYX4™ S SE PARTS DIAGRAM

Other(Audio System)



2024 TERYX4™ S SE PARTS LIST

Other(Audio System)

ITEM NAME	PART NUMBER	QUANTITY
BRACKET,AMPLIFIER (Ref # 11057)	11057-2282	1
HOUSING,DASH POD,LH (Ref # 13227)	13227-0708	1
HOUSING,DASH POD,RH (Ref # 13227A)	13227-0709	1
HOUSING,LOWER POD,LH (Ref # 13227B)	13227-0710	1
HOUSING,LOWER POD,RH (Ref # 13227C)	13227-0711	1
COVER,SPEAKER GRILL (Ref # 14093)	14093-1058	2
AMPLIFIER,AUDIO (Ref # 21181)	21181-0016	1
ANTENNA,AM/FM RADIO (Ref # 21183)	21183-0016	1
SPEAKER (Ref # 21185)	21185-0015	2
SPEAKER (Ref # 21185A)	21185-0019	2
HARNESS,RADIO (Ref # 26031)	26031-3742	1
HARNESS,LOWER POD SPEAKER,RH (Ref # 26031A)	26031-3743	1
HARNESS,DASH POD SPEAKER,LH (Ref # 26031B)	26031-3755	1
HARNESS,LOWER POD SPEAKER,LH (Ref # 26031C)	26031-3756	1
HARNESS,DASH POD SPEAKER,RH (Ref # 26031D)	26031-3757	1
HARNESS,USB OUTLET (Ref # 26031E)	26031-3836	1
BAND,L=292.1 (Ref # 92072)	92072-3509	2
BOLT,HEX HEAD,5/16-18X25.4MM (Ref # 92154)	92154-4330	2
BOLT,HEX HOLE,6-32X31.75MM (Ref # 92154A)	92154-4335	8
BOLT,HEX HEAD,5/16-18X31.75MM (Ref # 92154B)	92154-4360	4
BOLT,THREADED (Ref # 92154C)	92154-7100	2
SCREW,TORX,ST4.8X25 (Ref # 92172)	92172-1389	8
SCREW,TORX,ST4.2X13 (Ref # 92172A)	92172-1431	6
WASHER,SPRING,4.4X6.4X2.10 (Ref # 92200)	92200-2257	2
WASHER,8X15.9X1.2 (Ref # 92200A)	92200-2491	6
NUT,FLANGED,4MM (Ref # 92210)	92210-1704	2
NUT,WELL,5/16-18 (Ref # 92210A)	92210-1876	4
NUT,WELL,6-32 (Ref # 92210B)	92210-1881	8