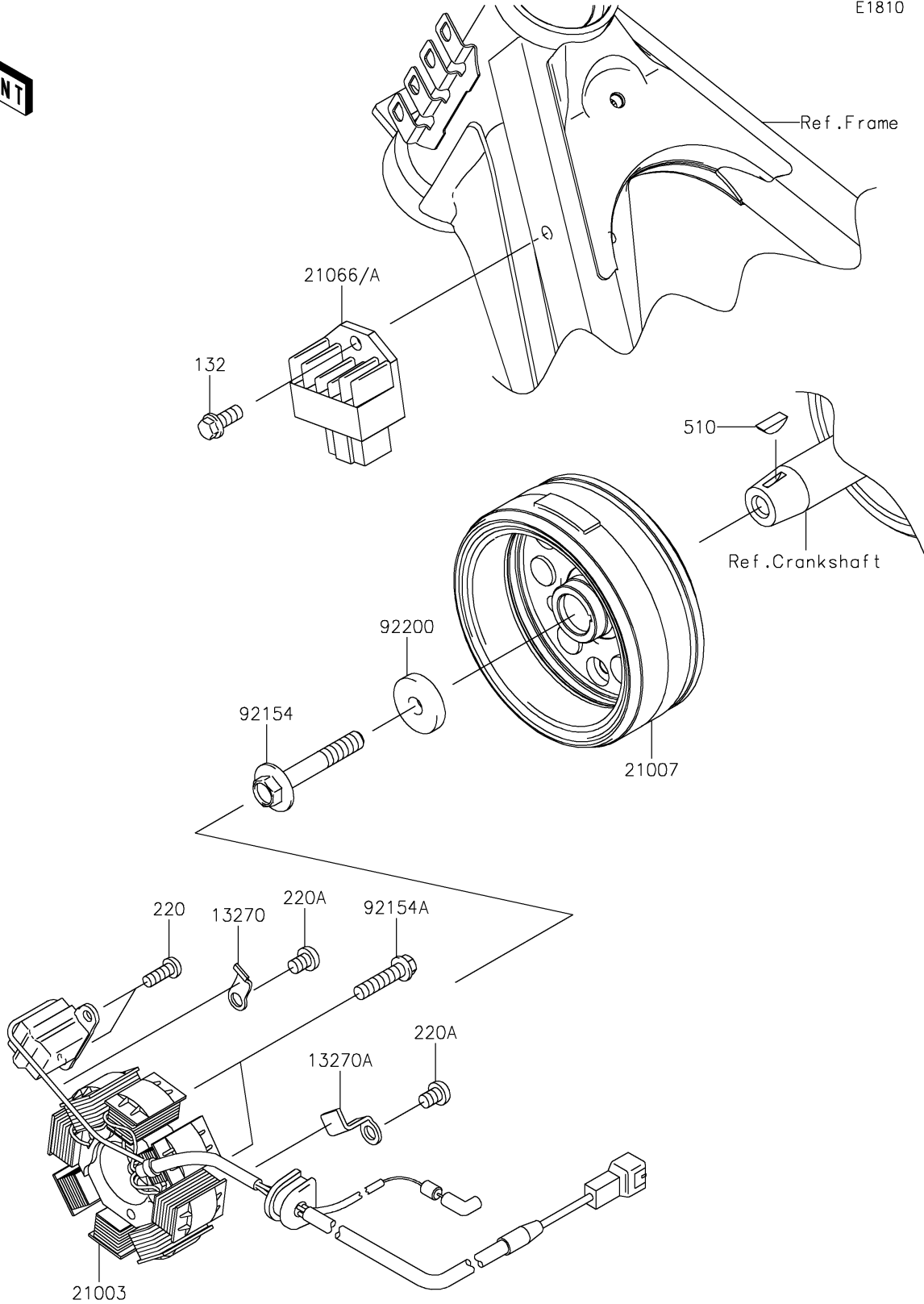


2024 KLX®140R PARTS DIAGRAM

Generator

E1810



2024 KLX®140R PARTS LIST

Generator

ITEM NAME	PART NUMBER	QUANTITY
PLATE (Ref # 13270)	13270-1754	1
PLATE (Ref # 13270A)	13270-1961	1
STATOR (Ref # 21003)	21003-0116	1
ROTOR (Ref # 21007)	21007-0105	1
REGULATOR-VOLTAGE (Ref # 21066)	21066-0778	1
REGULATOR-VOLTAGE (Ref # 21066A)	21066-0796	1
BOLT,FLANGED,8X50 (Ref # 92154)	92154-1153	1
BOLT,FLANGED,6X25 (Ref # 92154A)	92154-1156	2
WASHER,8.2X26X5 (Ref # 92200)	92200-1626	1
BOLT-FLANGED-SMALL,6X14 (Ref # 132)	132BA0614	1
SCREW-PAN-CROS,5X14 (Ref # 220)	220AA0514	2
SCREW-PAN-CROS,6X8 (Ref # 220A)	220AA0608	2
KEY-WOODRUFF (Ref # 510)	510A3200	1