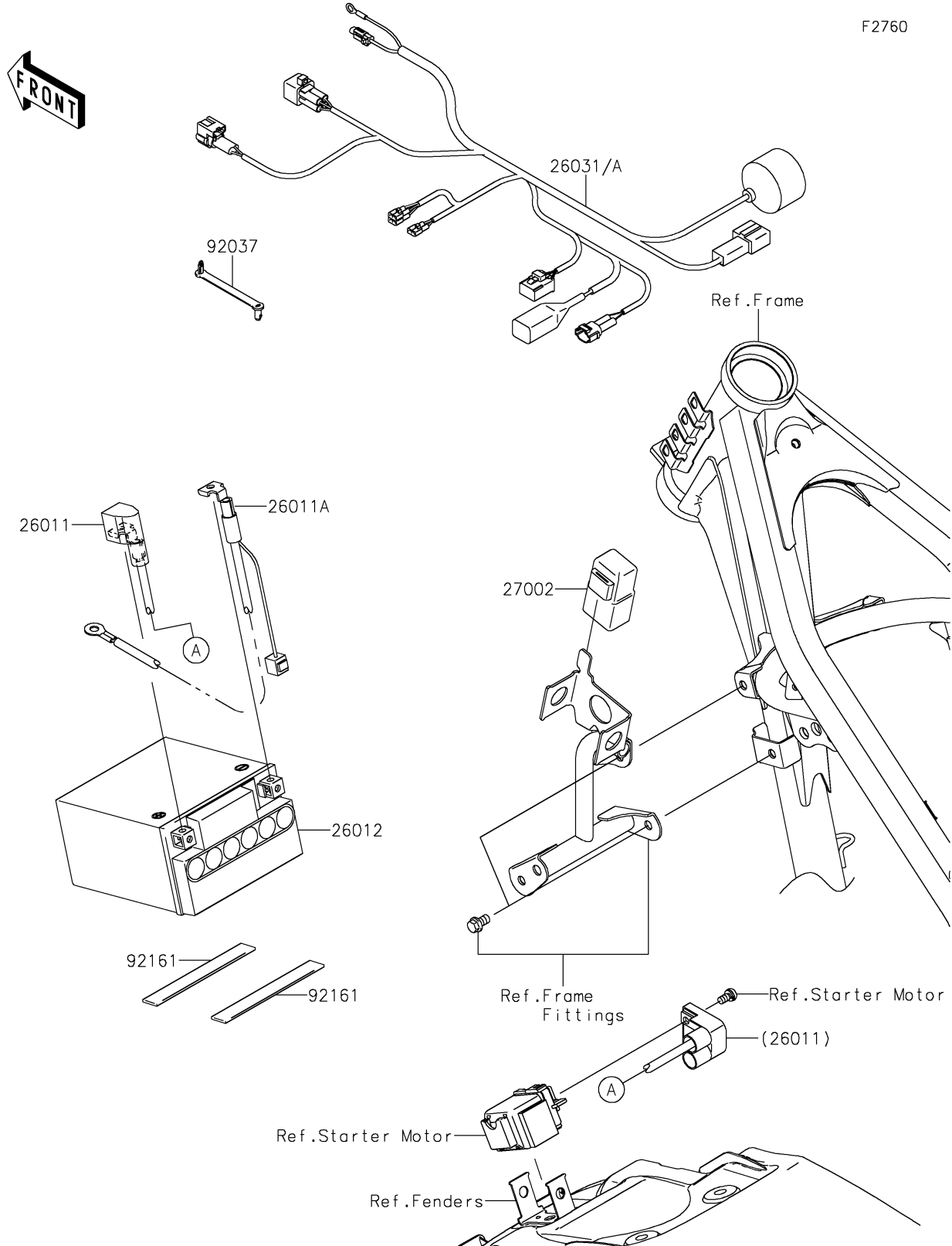


# 2023 KLX®140R L PARTS DIAGRAM

## Chassis Electrical Equipment

F2760



## 2023 KLX®140R L PARTS LIST

### Chassis Electrical Equipment

| ITEM NAME                              | PART NUMBER | QUANTITY |
|--|-------------|----------|
| WIRE-LEAD,BATTERY(+) (Ref # 26011)     | 26011-1998  | 1        |
| WIRE-LEAD,BATTERY(-) (Ref # 26011A)    | 26011-1999  | 1        |
| BATTERY,FTX7L-BS,12V 6AH (Ref # 26012) | 26012-0683  | 1        |
| HARNESS,MAIN (Ref # 26031)             | 26031-2228  | 1        |
| RELAY-ASSY (Ref # 27002)               | 27002-1086  | 1        |
| CLAMP,SPEED,L=58 (Ref # 92037)         | 92037-1163  | 5        |
| DAMPER (Ref # 92161)                   | 92161-0543  | 2        |