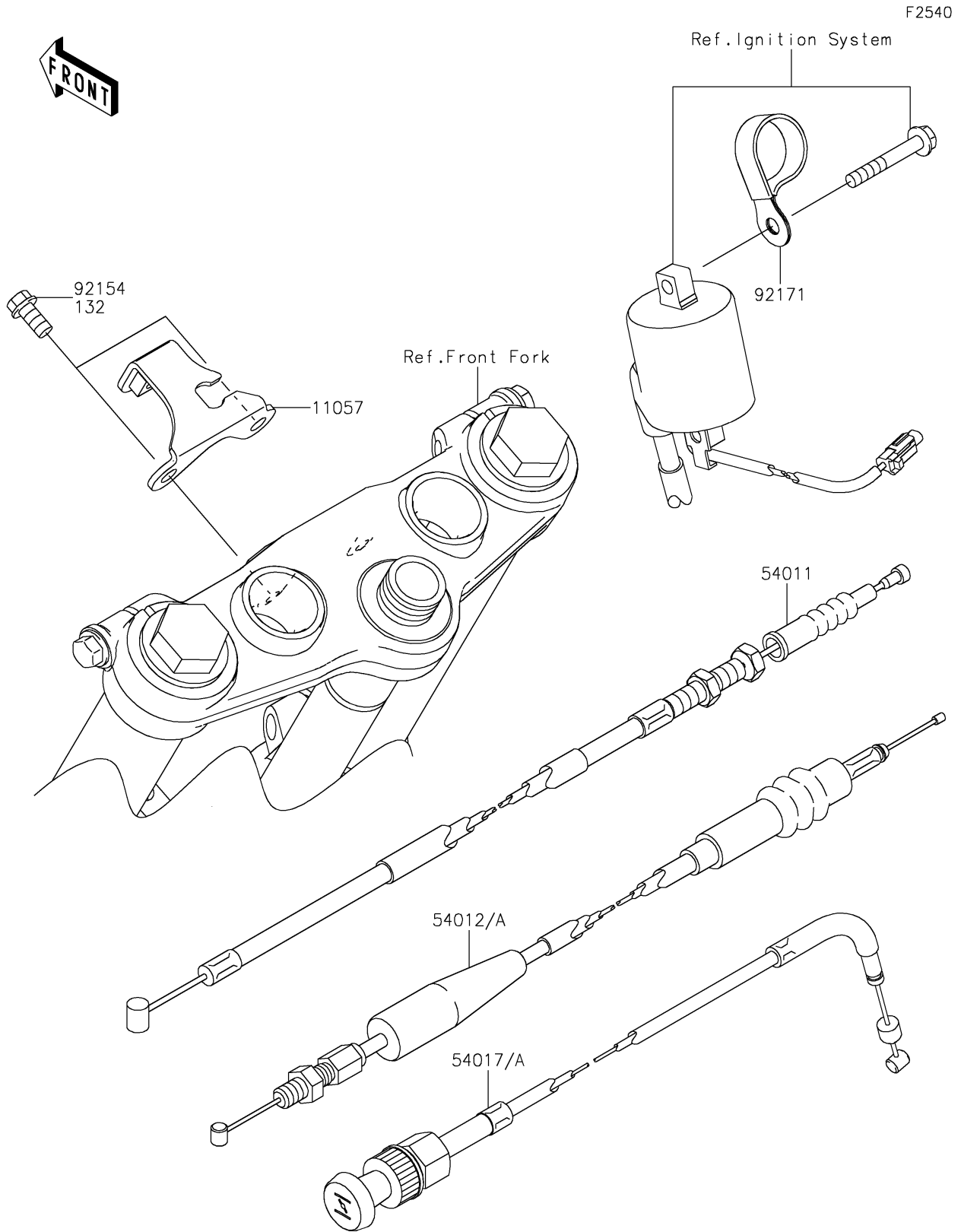


2024 KLX®140R F PARTS DIAGRAM

Cables



2024 KLX®140R F PARTS LIST

Cables

ITEM NAME	PART NUMBER	QUANTITY
BRACKET (Ref # 11057)	11057-0289	1
CABLE-CLUTCH (Ref # 54011)	54011-0663	1
CABLE-THROTTLE (Ref # 54012)	54012-0634	1
CABLE-THROTTLE (Ref # 54012A)	54012-0741	1
CABLE-STARTER (Ref # 54017)	54017-0038	1
CABLE-STARTER (Ref # 54017A)	54017-0313	1
BOLT,FLANGED,6X12 (Ref # 92154)	92154-2753	2
CLAMP (Ref # 92171)	92171-1279	1
BOLT-FLANGED-SMALL,6X12 (Ref # 132)	132BA0612	2