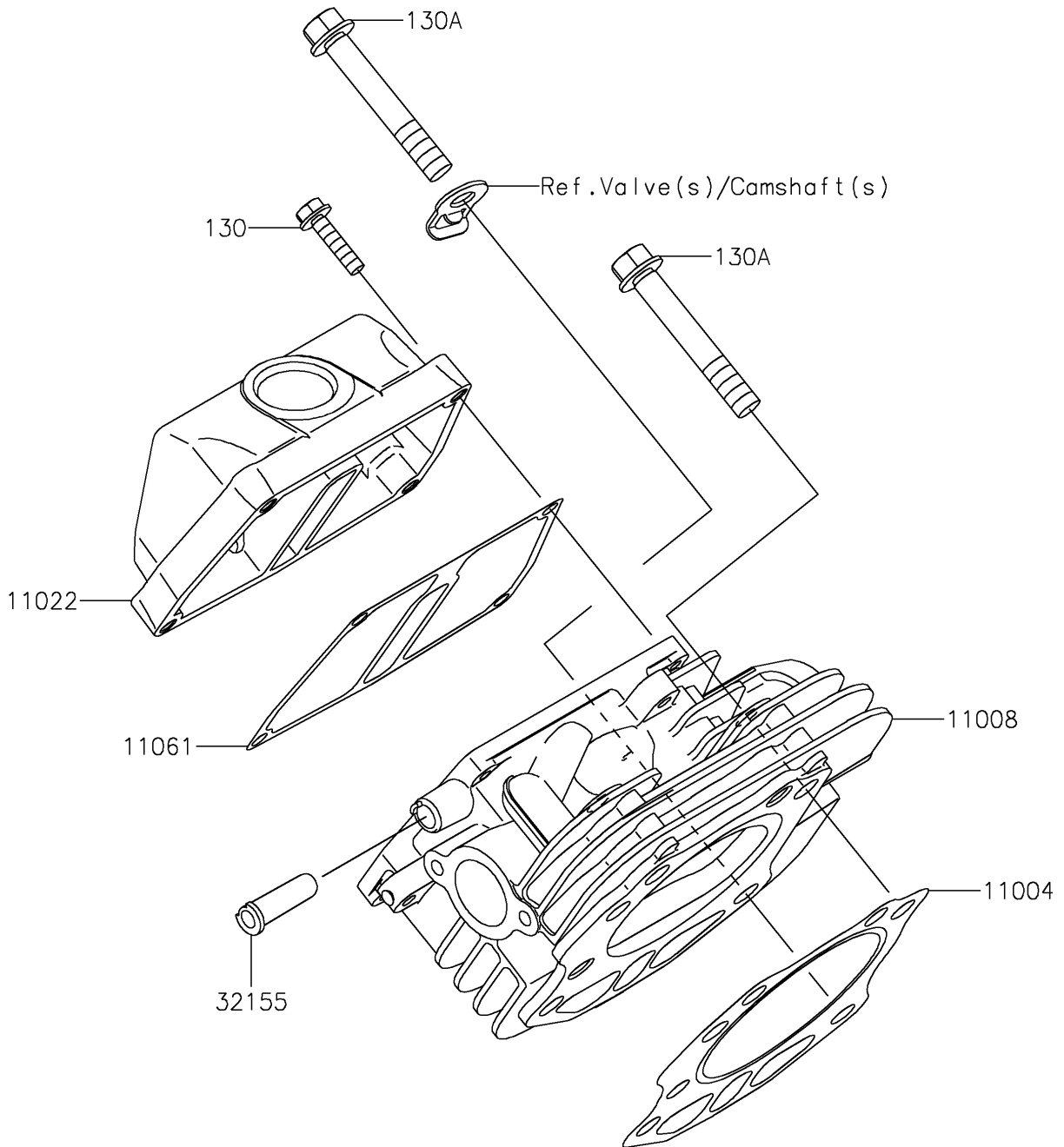


2024 MULE SX™ 4x4 PARTS DIAGRAM

Cylinder Head

E1111



2024 MULE SX™ 4x4 PARTS LIST

Cylinder Head

| ITEM NAME | PART NUMBER | QUANTITY |
|----------------------------------|-------------|----------|
| GASKET-HEAD (Ref # 11004) | 11004-7017 | 1 |
| HEAD-COMP-CYLINDER (Ref # 11008) | 11008-2162 | 1 |
| CASE-ROCKER (Ref # 11022) | 11022-0045 | 1 |
| GASKET,CASE-ROCKER (Ref # 11061) | 11061-1325 | 1 |
| PIPE,HEAD-CYLINDER (Ref # 32155) | 32155-2213 | 1 |
| BOLT-FLANGED,6X25 (Ref # 130) | 130BA0625 | 4 |
| BOLT-FLANGED,10X65 (Ref # 130A) | 130CA1065 | 4 |