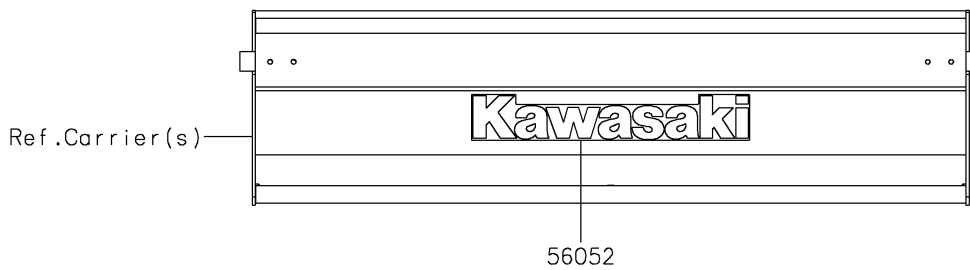
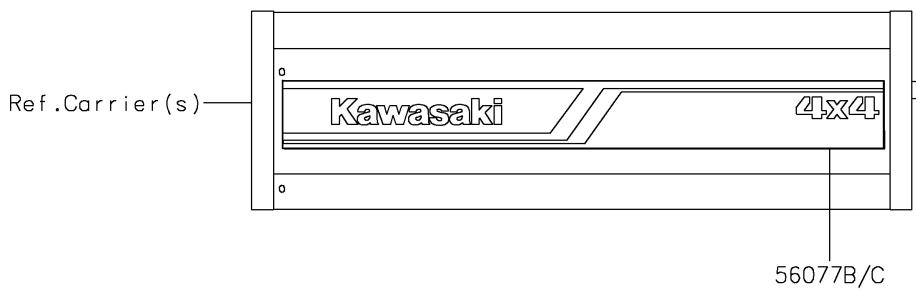
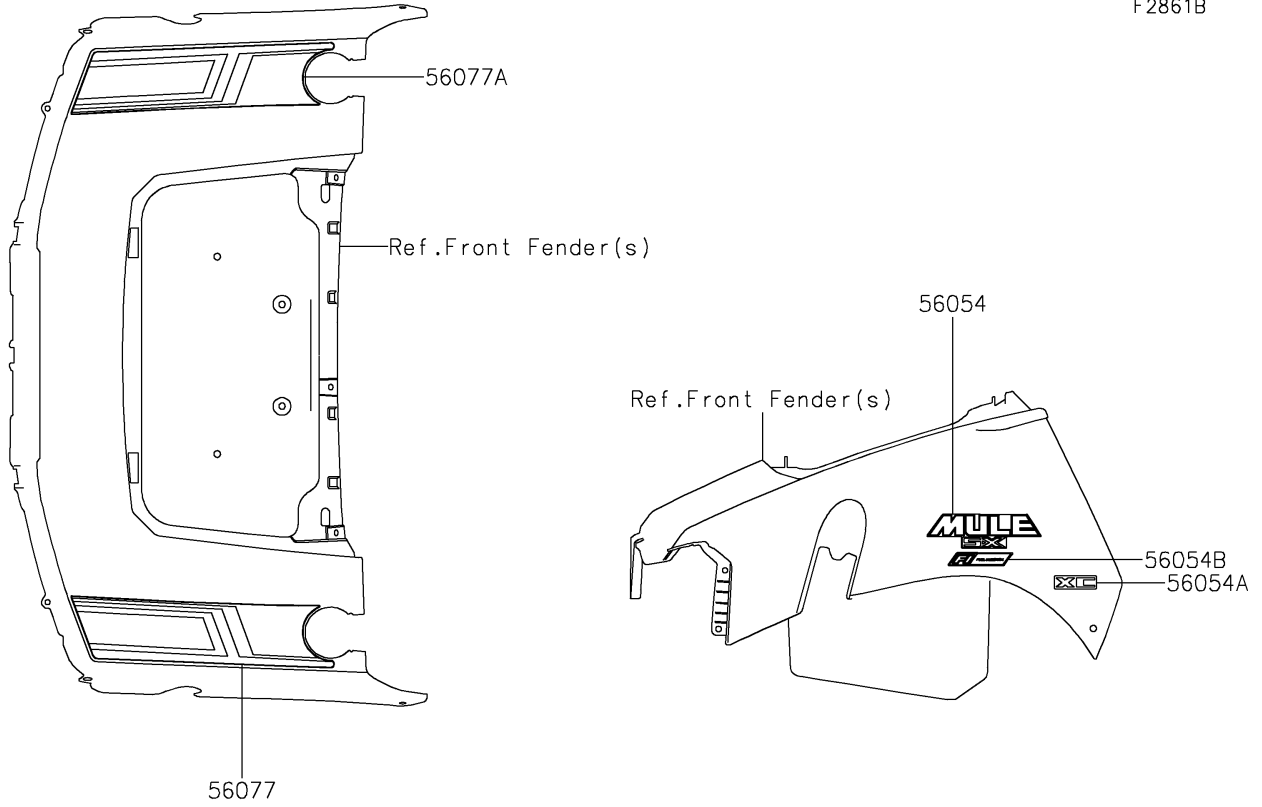


2025 MULE SX™ 4x4 XC PARTS DIAGRAM

Decals(Blue)(RSFNN)

F2861B



2025 MULE SX™ 4x4 XC PARTS LIST

Decals(Blue)(RSFNN)

ITEM NAME	PART NUMBER	QUANTITY
MARK,KAWASAKI (Ref # 56052)	56052-1809	1
MARK,FR FENDER,MULE SX (Ref # 56054)	56054-2063	2
MARK,FR FENDER,XC (Ref # 56054A)	56054-2064	2
MARK,FR FENDER,FUEL INJECTION (Ref # 56054B)	56054-2459	2
PATTERN,FR FENDER,LH (Ref # 56077)	56077-2064	1
PATTERN,FR FENDER,RH (Ref # 56077A)	56077-2065	1
PATTERN,SIDE PLATE,LH (Ref # 56077B)	56077-2066	1
PATTERN,SIDE PLATE,RH (Ref # 56077C)	56077-2067	1