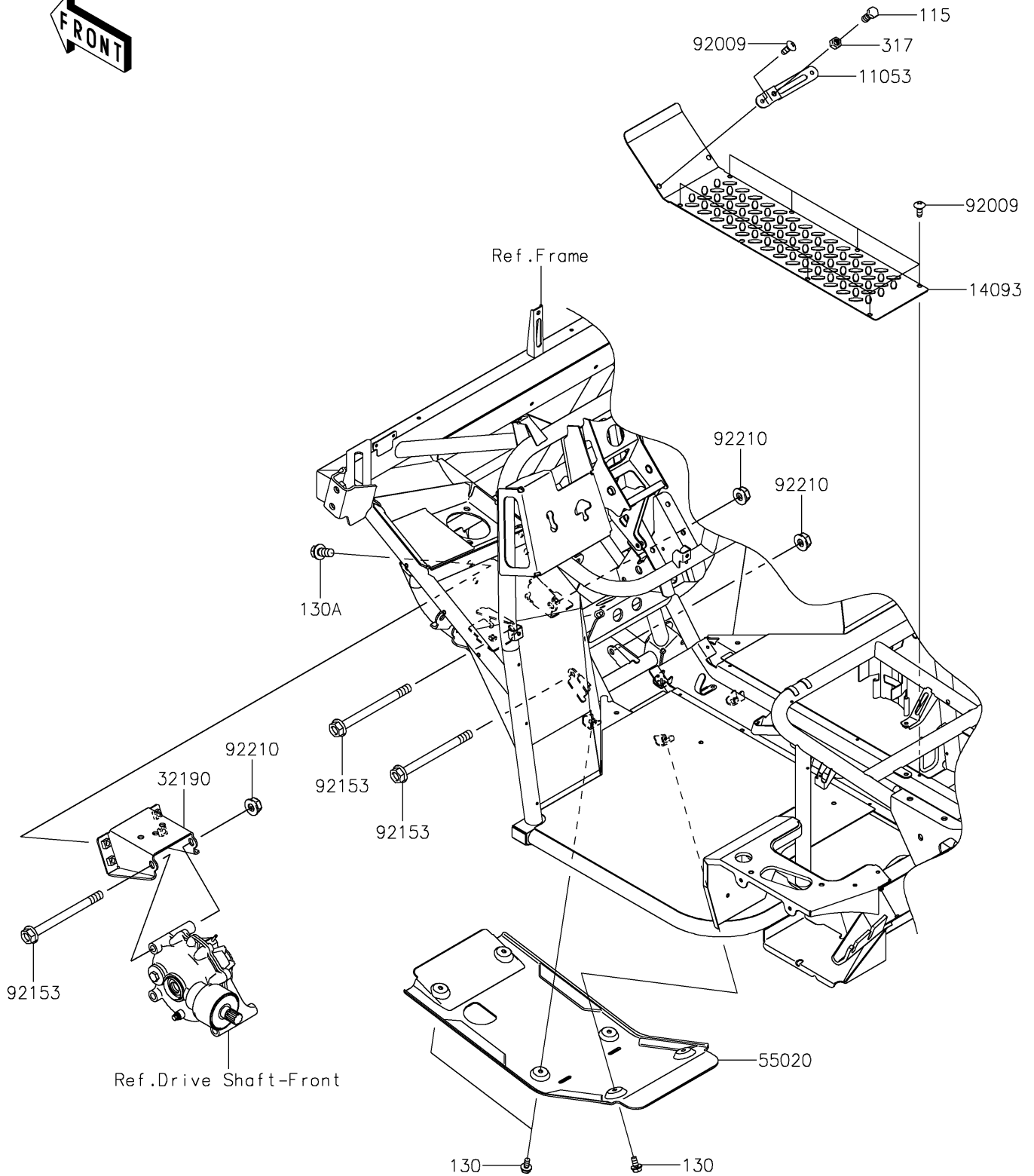


# 2025 MULE SX™ 4x4 XC LE PARTS DIAGRAM

Engine Mount

F2122



## 2025 MULE SX™ 4x4 XC LE PARTS LIST

### Engine Mount

| ITEM NAME                            | PART NUMBER | QUANTITY |
|--------------------------------------|-------------|----------|
| BRACKET,THROTTLE LEVER (Ref # 11053) | 11053-1670  | 1        |
| COVER,FLOOR,CNT (Ref # 14093)        | 14093-0469  | 1        |
| BRACKET-ENGINE (Ref # 32190)         | 32190-0639  | 1        |
| GUARD,FRONT DIFF (Ref # 55020)       | 55020-0165  | 1        |
| SCREW,TAPPING,6X16 (Ref # 92009)     | 92009-1166  | 9        |
| BOLT,FLANGED,10X120 (Ref # 92153)    | 92153-7502  | 3        |
| NUT,LOCK,FLANGED,10MM (Ref # 92210)  | 92210-0276  | 3        |
| BOLT-SMALL-UPSET,8X20 (Ref # 115)    | 115BA0820   | 1        |
| BOLT-FLANGED,6X12 (Ref # 130)        | 130BA0612   | 6        |
| BOLT-FLANGED,10X20 (Ref # 130A)      | 130BA1020   | 4        |
| NUT-HEX-SMALL,8MM (Ref # 317)        | 317BA0800   | 1        |