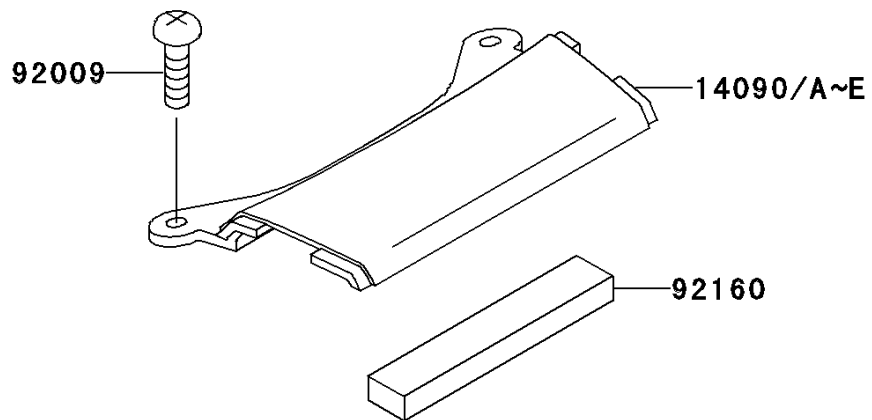
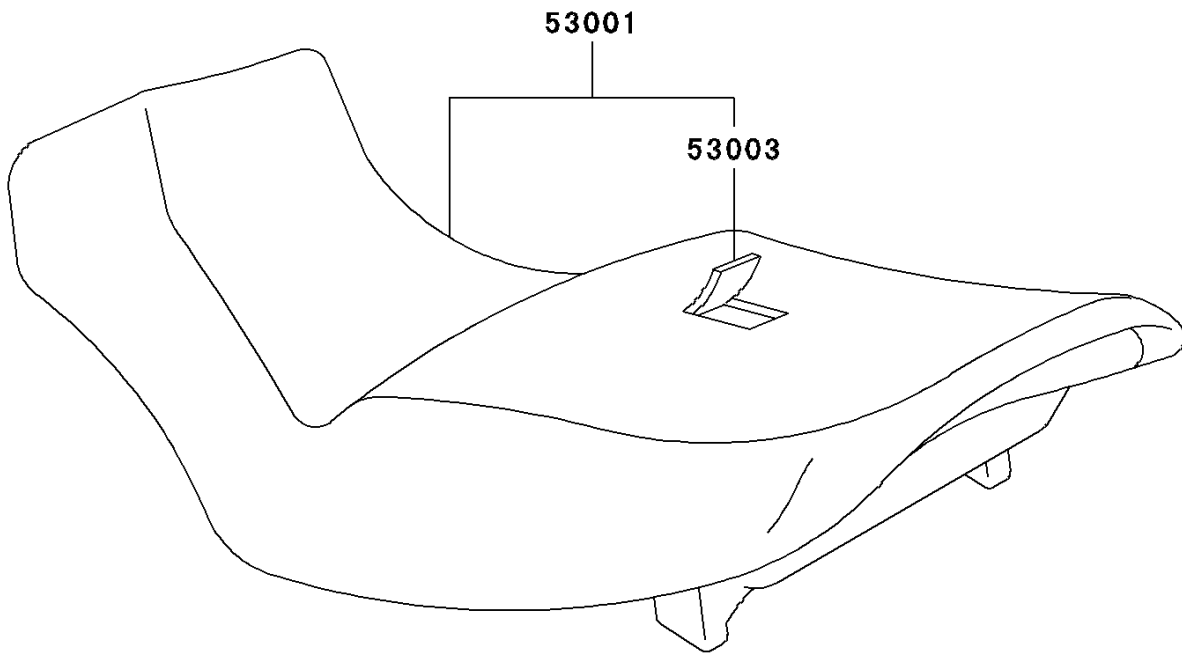


# 1997 Ninja® ZX™ -11 PARTS DIAGRAM

Seat

F2510



## 1997 Ninja® ZX™ -11 PARTS LIST

### Seat

ITEM NAME	PART NUMBER	QUANTITY
SEAT-ASSY,DUAL,BLACK (Ref # 53001)	53001-1690-MA	1
LEATHER,SEAT,BLACK (Ref # 53003)	53003-1271-MA	1
SCREW,6X18,BLACK (Ref # 92009)	92009-1181	2
DAMPER (Ref # 92160)	92160-1430	1
COVER,TAIL,L.W.GREEN (Ref # 14090)	14090-1280-DS	1
COVER,TAIL,RED MICA (Ref # 14090C)	14090-1280-1Q	1
COVER,TAIL,A.RED MICA (Ref # 14090D)	14090-1280-2D	1
COVER,TAIL,L.W.GREEN (Ref # 14090E)	14090-1280-24	1