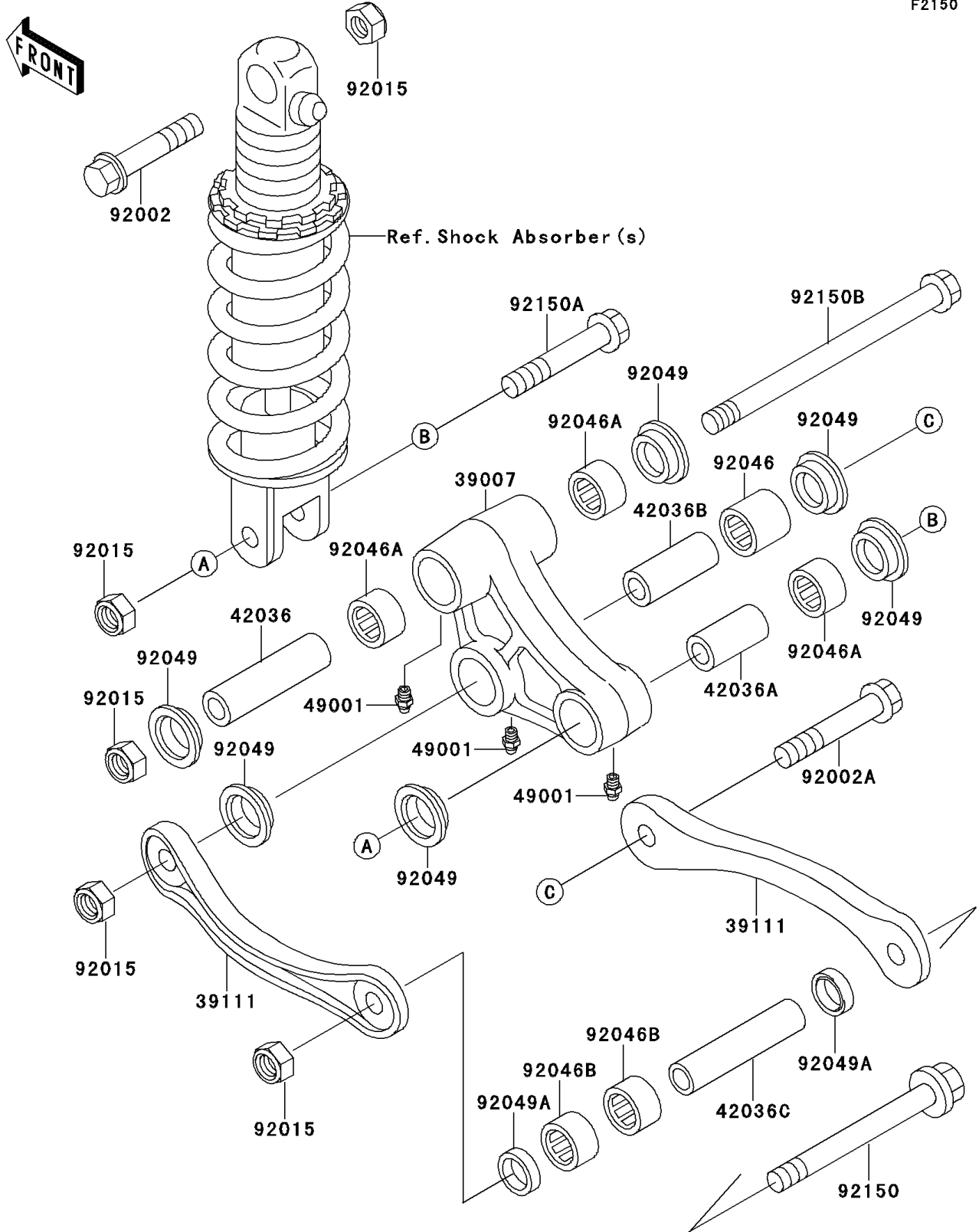


2000 Ninja® ZX™-11 PARTS DIAGRAM

Rear Suspension

F2150



2000 Ninja® ZX™ -11 PARTS LIST

Rear Suspension

ITEM NAME	PART NUMBER	QUANTITY
ARM-SUSP,UNI TRAK (Ref # 39007)	39007-1237	1
ROD-TIE,SUSPENSION (Ref # 39111)	39111-1130	2
SLEEVE,ARM,CNT (Ref # 42036)	42036-1079	1
SLEEVE,12.1X20X40 (Ref # 42036A)	42036-1108	1
SLEEVE,12.1X20X50 (Ref # 42036B)	42036-1111	1
SLEEVE,12.1X18X82 (Ref # 42036C)	42036-1231	1
NIPPLE-GREASE (Ref # 49001)	49001-1051	3
BOLT,FLANGED,12X60 (Ref # 92002)	92002-1464	1
BOLT,SUSPENSION ARM,12MM (Ref # 92002A)	92002-1785	1
NUT,LOCK,12MM,BLACK (Ref # 92015)	92015-1190	5
BEARING-NEEDLE,BM202726 (Ref # 92046)	92046-1110	1
BEARING-NEEDLE,BM202715 (Ref # 92046A)	92046-1112	3
BEARING-NEEDLE,18BM2416 (Ref # 92046B)	92046-1144	2
SEAL-OIL,ARM,CNT (Ref # 92049)	92049-1109	6
SEAL-OIL,MHA18244 (Ref # 92049A)	92049-1225	2
BOLT,FLANGED,12X110 (Ref # 92150)	92150-1088	1
BOLT,FLANGED,12X70 (Ref # 92150A)	92150-1115	1
BOLT,FLANGED,12X165 (Ref # 92150B)	92150-1931	1