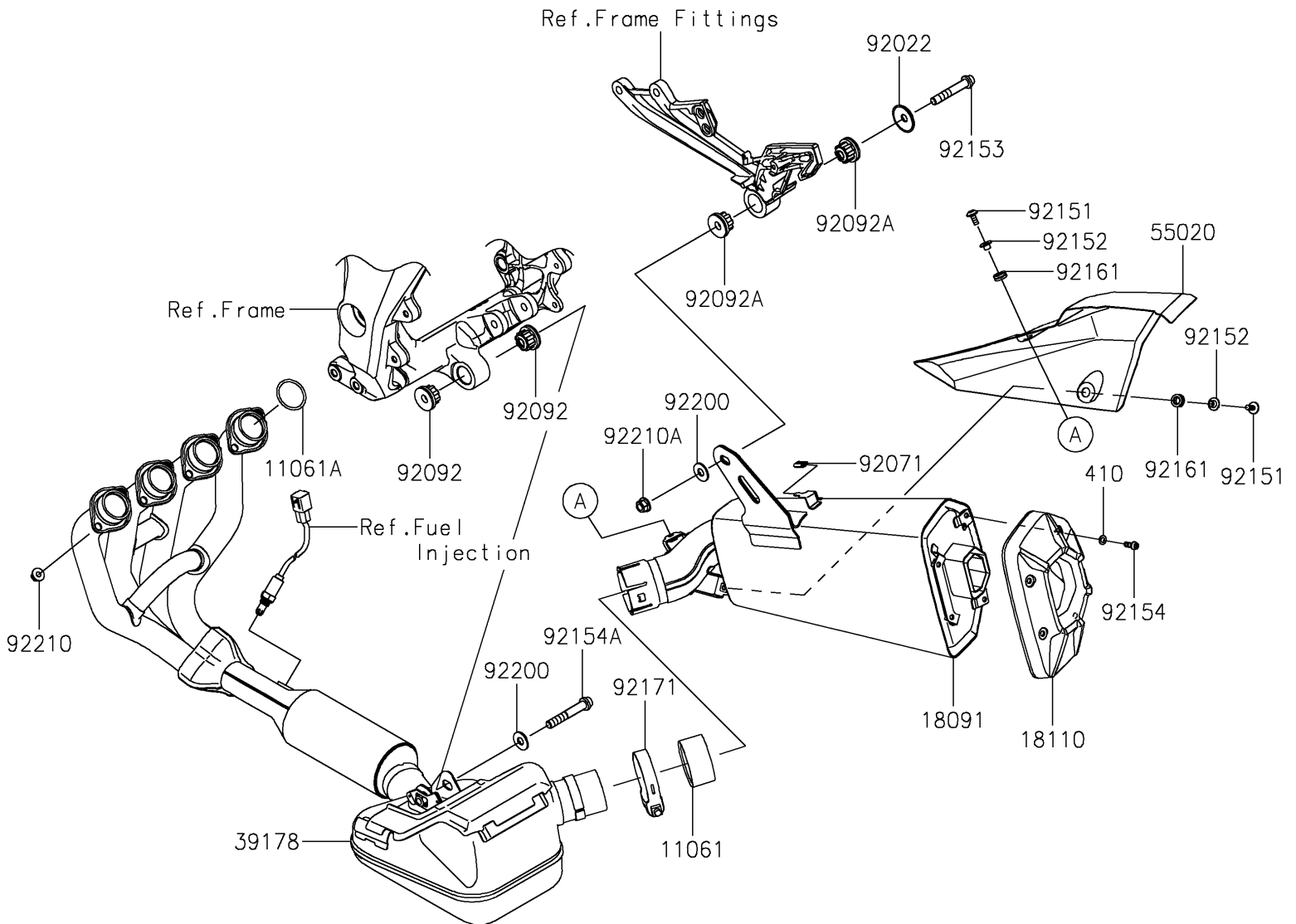


2022 NINJA® 1000SX PARTS DIAGRAM

Muffler(s)

E1140



2022 NINJA® 1000SX PARTS LIST

Muffler(s)

ITEM NAME	PART NUMBER	QUANTITY
GASKET,54X62X30 (Ref # 11061)	11061-0448	1
GASKET,EXHAUST PIPE HOLDER (Ref # 11061A)	11061-1373	4
BODY-COMP-MUFFLER (Ref # 18091)	18091-1185	1
BODY END-MUFFLER (Ref # 18110)	18110-0216	1
MANIFOLD-COMP-EXHAUST (Ref # 39178)	39178-0385	1
GUARD,FRONT COVER (Ref # 55020)	55020-2287	1
WASHER (Ref # 92022)	92022-289	1
GROMMET (Ref # 92071)	92071-1270	1
BUSHING-RUBBER (Ref # 92092)	92092-1081	2
BUSHING-RUBBER,MUFFLER (Ref # 92092A)	92092-1087	2
BOLT,SOCKET,6X14 (Ref # 92151)	92151-1654	2
COLLAR,6.3X8.3X16 (Ref # 92152)	92152-0286	2
BOLT,SOCKET,10X60 (Ref # 92153)	92153-1837	1
BOLT,SOCKET,6X16 (Ref # 92154)	92154-1454	4
BOLT,SOCKET,10X65 (Ref # 92154A)	92154-2642	1
DAMPER (Ref # 92161)	92161-0308	2
CLAMP,64.5MM (Ref # 92171)	92171-0683	1
WASHER,10.5X25X2.0 (Ref # 92200)	92200-1377	2
NUT,8MM (Ref # 92210)	92210-0076	8
NUT,LOCK,FLANGED,10MM (Ref # 92210A)	92210-1139	1
WASHER-PLAIN-SMALL,6MM (Ref # 410)	410S0600	4