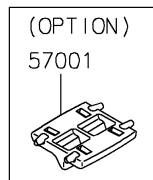
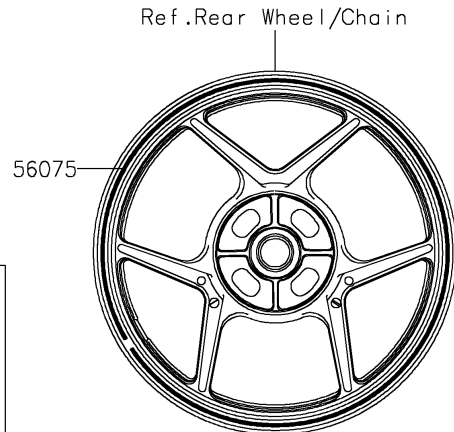
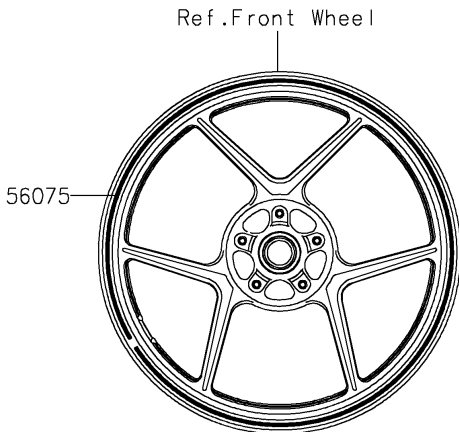
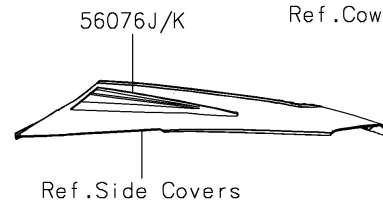
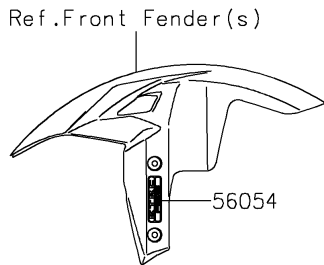
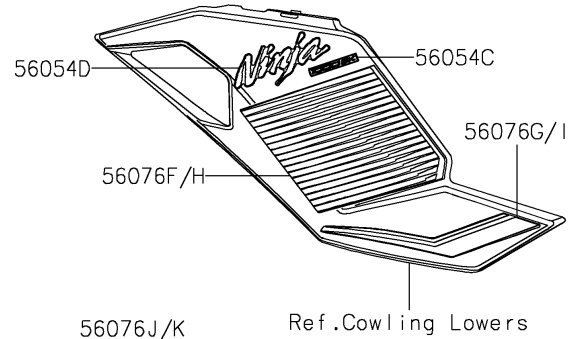
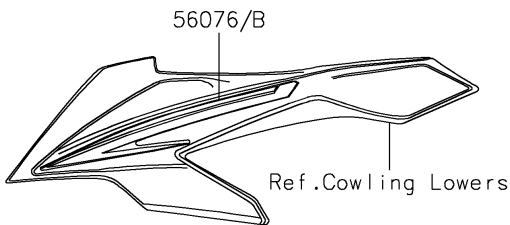
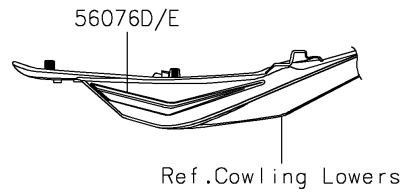
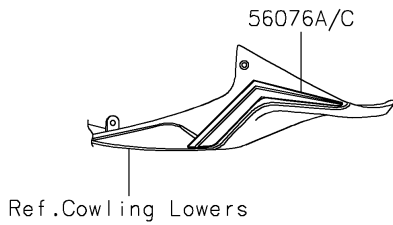
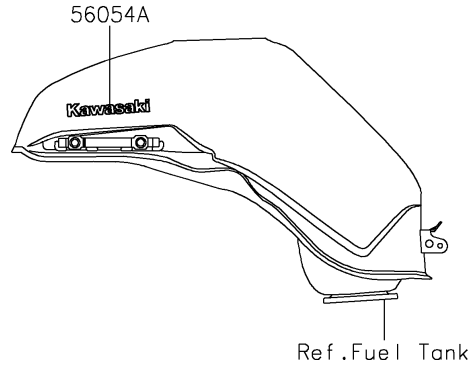
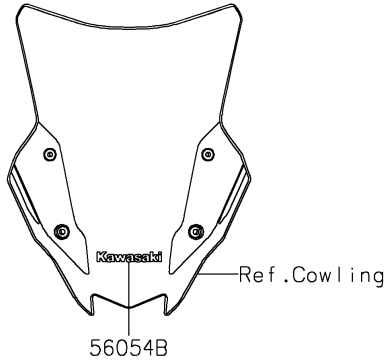


2023 NINJA® 1000SX PARTS DIAGRAM

Decals(Green)(KNFAN/KPFAN/KPFAL)

F2861A



2023 NINJA® 1000SX PARTS LIST

Decals(Green)(KNFAN/KPFAN/KPFAL)

ITEM NAME	PART NUMBER	QUANTITY
MARK,FR FENDER,KTRC ABS (Ref # 56054)	56054-1115	2
MARK,KAWASAKI (Ref # 56054A)	56054-1358	2
MARK,WINDSHIELD,KAWASAKI (Ref # 56054B)	56054-2185	1
MARK,SIDE COWL.,1000SX,3D (Ref # 56054C)	56054-2651	2
MARK,SIDE COWL.,NINJA (Ref # 56054D)	56054-2842	2
PATTERN,WHEEL,GREEN,4X1353 (Ref # 56075)	56075-4010	4
PATTERN,UPP SIDE COWL.,LH,FR (Ref # 56076)	56076-3704	1
PATTERN,UPP SIDE COWL.,LH,RR (Ref # 56076A)	56076-3705	1
PATTERN,UPP SIDE COWL.,RH,FR (Ref # 56076B)	56076-3706	1
PATTERN,UPP SIDE COWL.,RH,RR (Ref # 56076C)	56076-3707	1
PATTERN,MID SIDE COWL.,LH (Ref # 56076D)	56076-3708	1
PATTERN,MID SIDE COWL.,RH (Ref # 56076E)	56076-3709	1
PATTERN,SIDE COWL.,LH,UPP (Ref # 56076F)	56076-3710	1
PATTERN,SIDE COWL.,LH,LWR (Ref # 56076G)	56076-3711	1
PATTERN,SIDE COWL.,RH,UPP (Ref # 56076H)	56076-3712	1
PATTERN,SIDE COWL.,RH,LWR (Ref # 56076I)	56076-3713	1
PATTERN,TAIL COVER,LH (Ref # 56076J)	56076-3714	1
PATTERN,TAIL COVER,RH (Ref # 56076K)	56076-3715	1
RIM STRIPE APPLICATOR (Ref # 57001)	57001-1752	AR