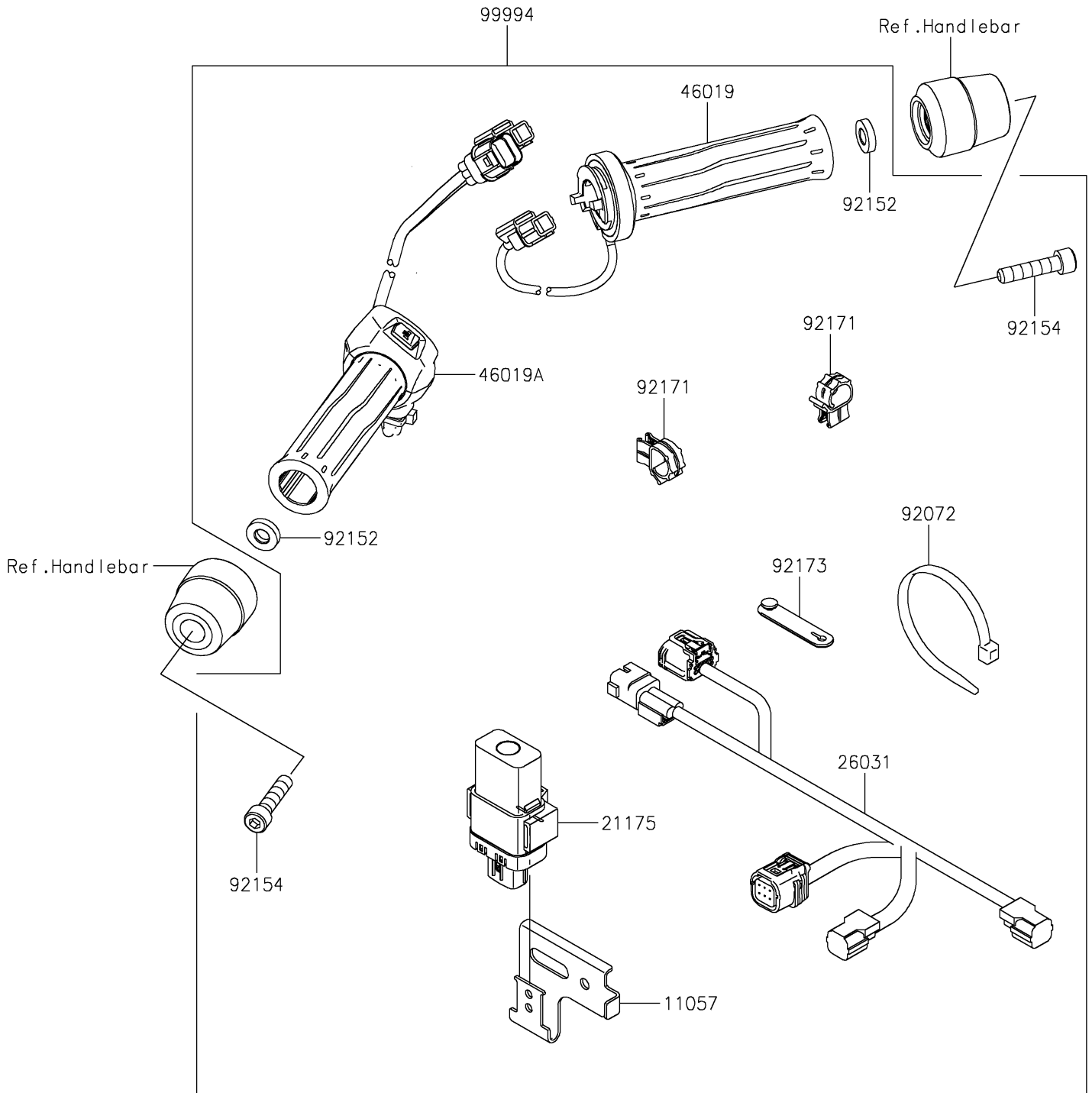


# 2022 NINJA® 1000SX PARTS DIAGRAM

Accessory(Grip Heater)

F2910F



## 2022 NINJA® 1000SX PARTS LIST

Accessory(Grip Heater)

ITEM NAME	PART NUMBER	QUANTITY
BRACKET (Ref # 11057)	11057-2960	1
CONTROL UNIT-ELECTRONIC,GH (Ref # 21175)	21175-1329	1
HARNESS,GRIP HEATER (Ref # 26031)	26031-2722	1
GRIP-ASSY,HEATER,RH (Ref # 46019)	46019-0096	1
GRIP-ASSY,HEATER,LH (Ref # 46019A)	46019-0097	1
BAND (Ref # 92072)	92072-3851	5
COLLAR (Ref # 92152)	92152-2663	2
BOLT,SOCKET,8X35 (Ref # 92154)	92154-4053	2
CLAMP,EDGE CLIP (Ref # 92171)	92171-1722	2
CLAMP (Ref # 92173)	92173-2198	3
GRIP HEATER (Ref # 99994)	99994-1412	1