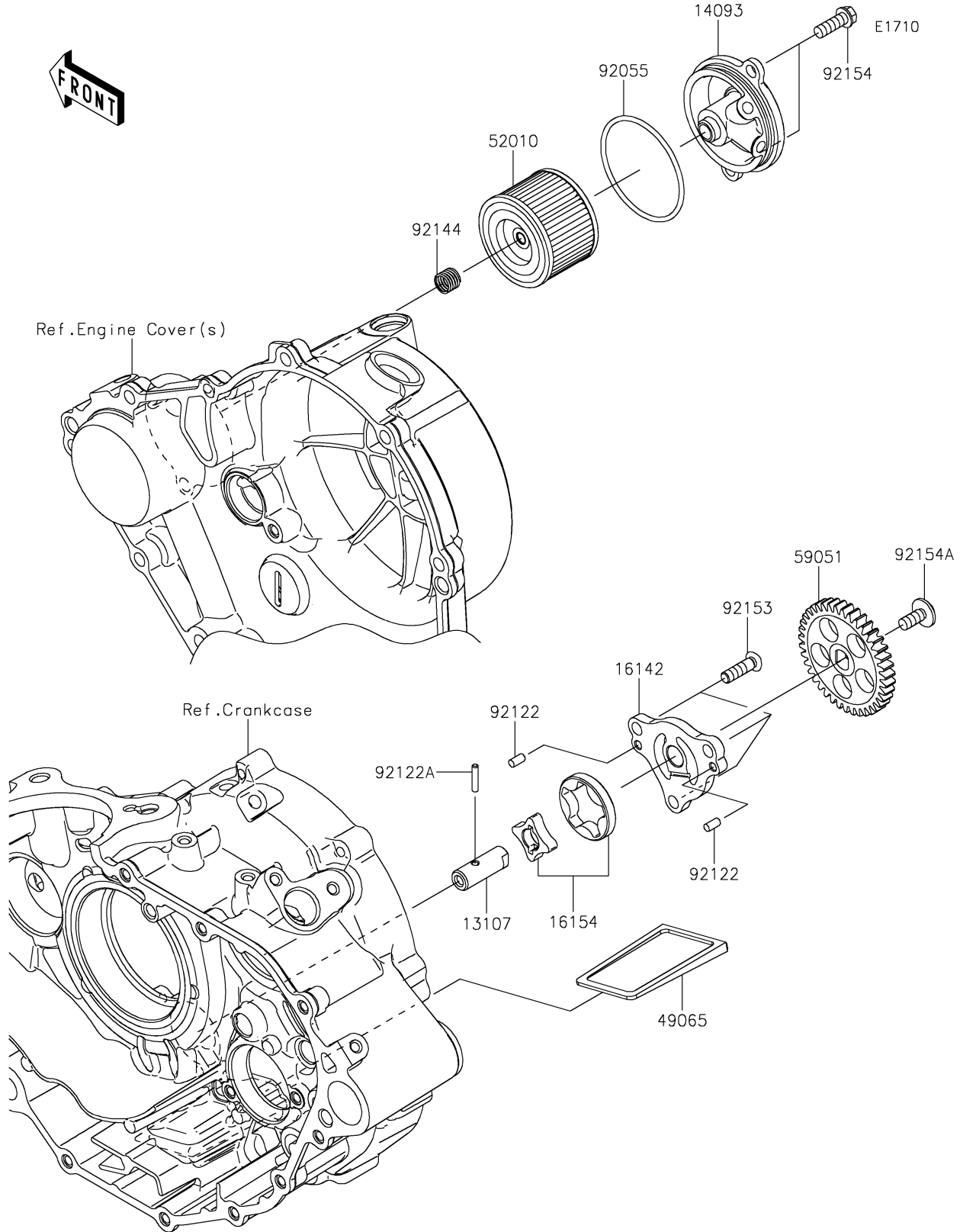


# 2023 KLX® 230R S PARTS DIAGRAM

## Oil Pump



## 2023 KLX® 230R S PARTS LIST

### Oil Pump

| ITEM NAME                        | PART NUMBER | QUANTITY |
|----------------------------------|-------------|----------|
| SHAFT,OIL PUMP (Ref # 13107)     | 13107-0891  | 1        |
| COVER,OIL FILTER (Ref # 14093)   | 14093-0786  | 1        |
| COVER-PUMP,OIL (Ref # 16142)     | 16142-0760  | 1        |
| ROTOR-PUMP (Ref # 16154)         | 16154-0747  | 1        |
| FILTER-OIL (Ref # 49065)         | 49065-1058  | 1        |
| ELEMENT-OIL FILTER (Ref # 52010) | 52010-1053  | 1        |
| GEAR-SPUR,39T (Ref # 59051)      | 59051-0819  | 1        |
| RING-O,52.6X2.4 (Ref # 92055)    | 92055-1577  | 1        |
| ROLLER,4X8 (Ref # 92122)         | 92122-0557  | 2        |
| ROLLER,3X15.8 (Ref # 92122A)     | 92122-1126  | 1        |
| SPRING (Ref # 92144)             | 92144-1761  | 1        |
| BOLT,TORX,6X20 (Ref # 92153)     | 92153-1653  | 3        |
| BOLT,FLANGED,6X18 (Ref # 92154)  | 92154-1775  | 2        |
| BOLT,SOCKET,6X14 (Ref # 92154A)  | 92154-2731  | 1        |