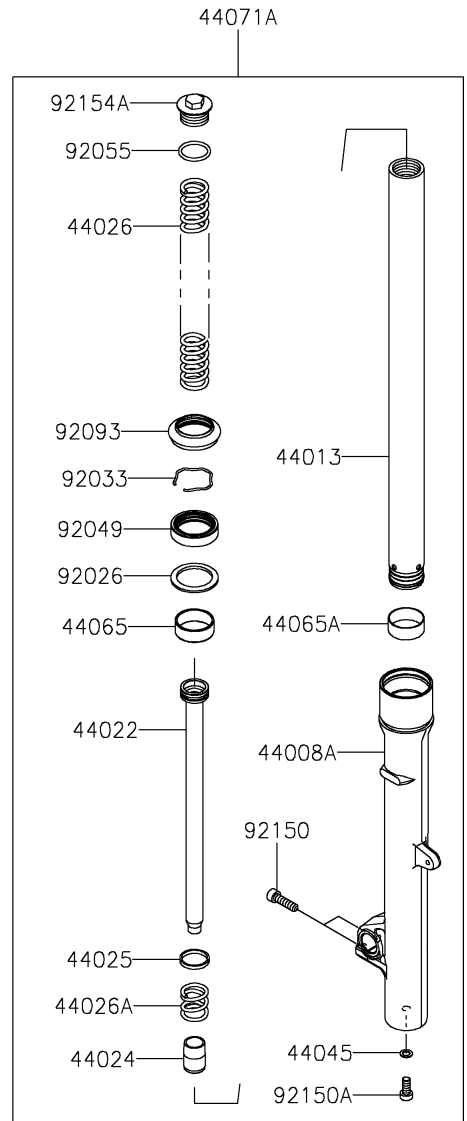
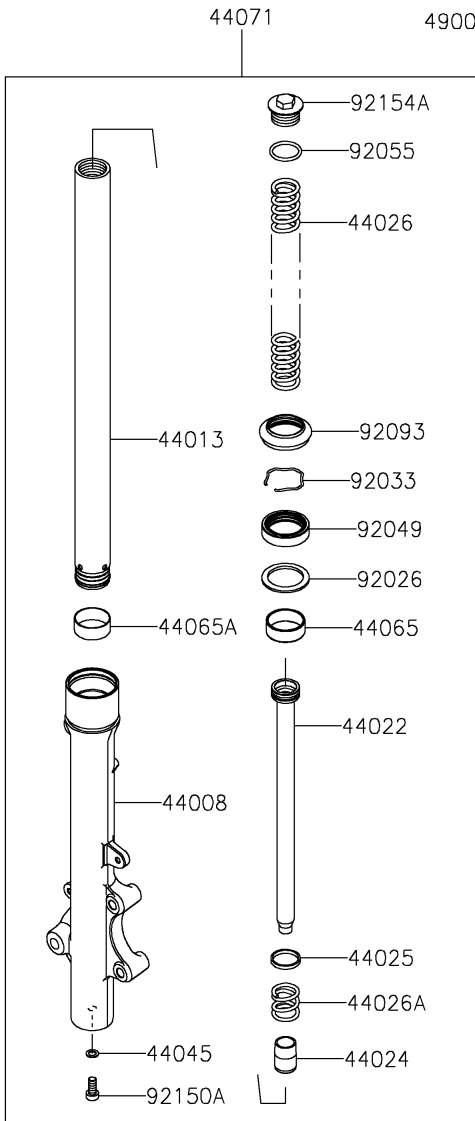
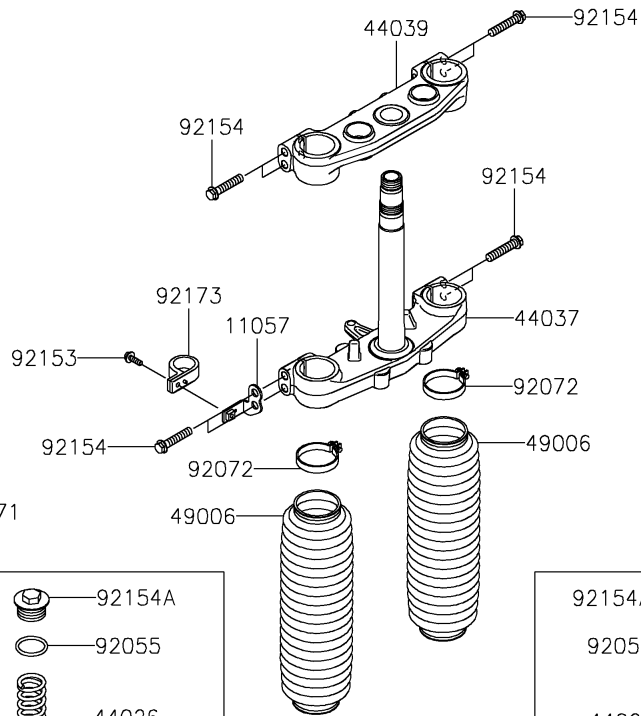


# 2024 KLX230R S PARTS DIAGRAM

Front Fork

F2340



## 2024 KLX230R S PARTS LIST

### Front Fork

ITEM NAME	PART NUMBER	QUANTITY
BRACKET (Ref # 11057)	11057-2284	1
PIPE-FORK OUTER,LH (Ref # 44008)	44008-0089	1
PIPE-FORK OUTER,RH (Ref # 44008A)	44008-0090	1
PIPE-FORK INNER (Ref # 44013)	44013-0386	2
CYLINDER-FORK (Ref # 44022)	44022-0056	2
CAP-OIL-LOCK (Ref # 44024)	44024-0016	2
RING-FORK PISTON (Ref # 44025)	44025-1062	2
SPRING-FRONT FORK (Ref # 44026)	44026-0241	2
SPRING-FRONT FORK (Ref # 44026A)	44026-1556	2
HOLDER-FORK UNDER (Ref # 44037)	44037-0186	1
HOLDER-FORK UPPER (Ref # 44039)	44039-0190	1
GASKET,FORK CYLINDER BOLT (Ref # 44045)	44045-051	2
BUSHING-FRONT FORK (Ref # 44065)	44065-0069	2
BUSHING-FRONT FORK (Ref # 44065A)	44065-0070	2
DAMPER-ASSY,FORK,LH (Ref # 44071)	44071-1535	1
DAMPER-ASSY,FORK,RH (Ref # 44071A)	44071-1536	1
BOOT (Ref # 49006)	49006-0612	2
SPACER,FORK (Ref # 92026)	92026-1443	2
RING-SNAP (Ref # 92033)	92033-1286	2
SEAL-OIL (Ref # 92049)	92049-0734	2
RING-O (Ref # 92055)	92055-1456	2
BAND (Ref # 92072)	92072-0826	2
SEAL,FORK OUTER (Ref # 92093)	92093-1367	2
BOLT,SOCKET,8X30 (Ref # 92150)	92150-1407	2
BOLT,SOCKET,8X18 (Ref # 92150A)	92150-1432	2
BOLT,FLANGED (Ref # 92153)	92153-1397	1
BOLT (Ref # 92154)	92154-0463	8
BOLT (Ref # 92154A)	92154-3953	2
CLAMP (Ref # 92173)	92173-2246	1