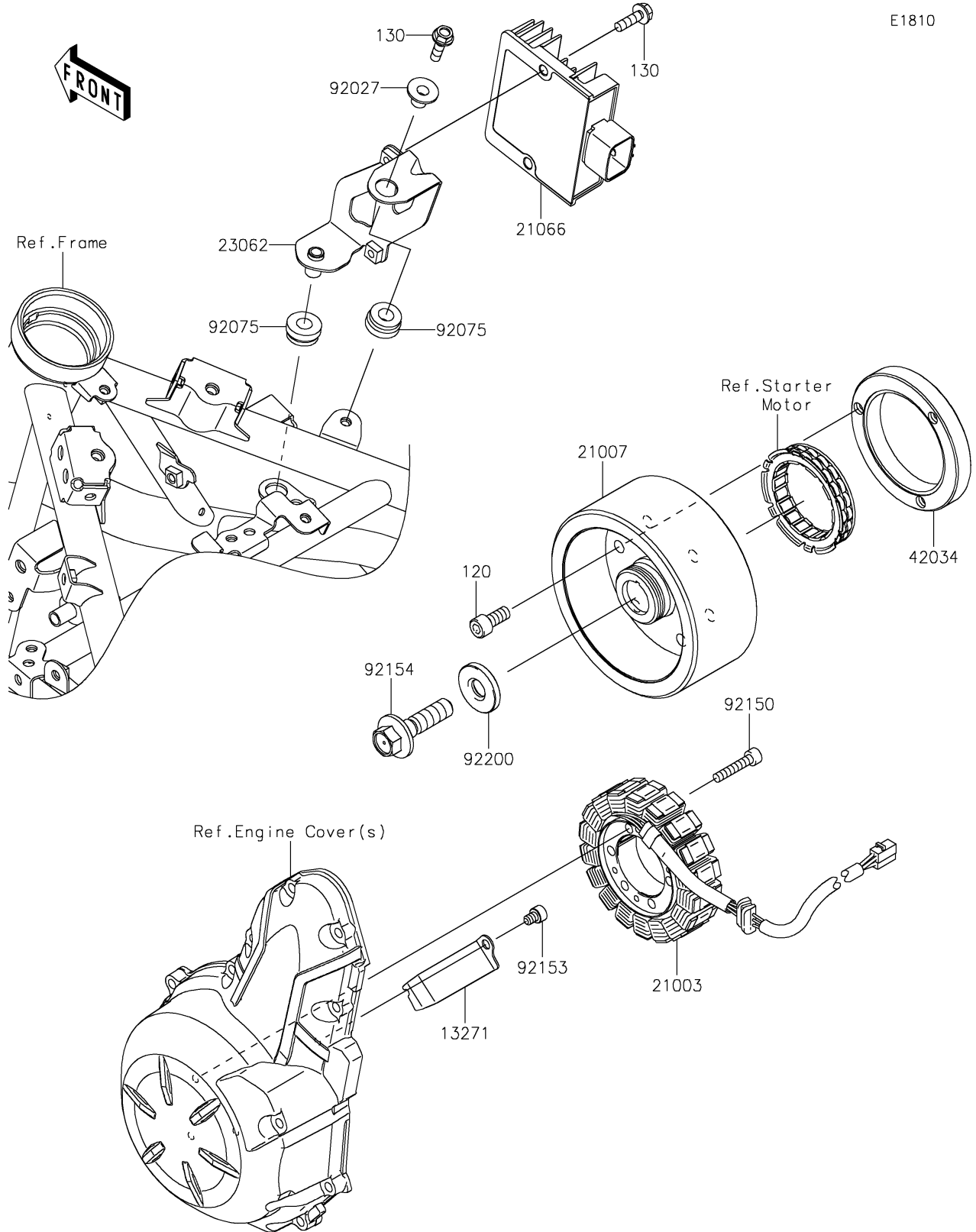


2023 Ninja® 650 KRT Edition PARTS DIAGRAM

Generator



E1810

2023 Ninja® 650 KRT Edition PARTS LIST

Generator

| ITEM NAME | PART NUMBER | QUANTITY |
|---|-------------|----------|
| PLATE (Ref # 13271) | 13271-0952 | 1 |
| STATOR (Ref # 21003) | 21003-0206 | 1 |
| ROTOR (Ref # 21007) | 21007-0601 | 1 |
| REGULATOR-VOLTAGE (Ref # 21066) | 21066-0750 | 1 |
| BRACKET-COMP,REGULATOR (Ref # 23062) | 23062-0906 | 1 |
| COUPLING (Ref # 42034) | 42034-1143 | 1 |
| COLLAR,FLANGED,L=12.1,BLACK (Ref # 92027) | 92027-1651 | 1 |
| DAMPER (Ref # 92075) | 92075-277 | 2 |
| BOLT,SOCKET,6X30 (Ref # 92150) | 92150-1433 | 3 |
| BOLT,SOCKET,6X8 (Ref # 92153) | 92153-1414 | 1 |
| BOLT,FLANGED,12X45 (Ref # 92154) | 92154-1812 | 1 |
| WASHER,12X33X5 (Ref # 92200) | 92200-0220 | 1 |
| BOLT-SOCKET,8X18 (Ref # 120) | 120CA0818 | 3 |
| BOLT-FLANGED,6X20 (Ref # 130) | 130BA0620 | 3 |