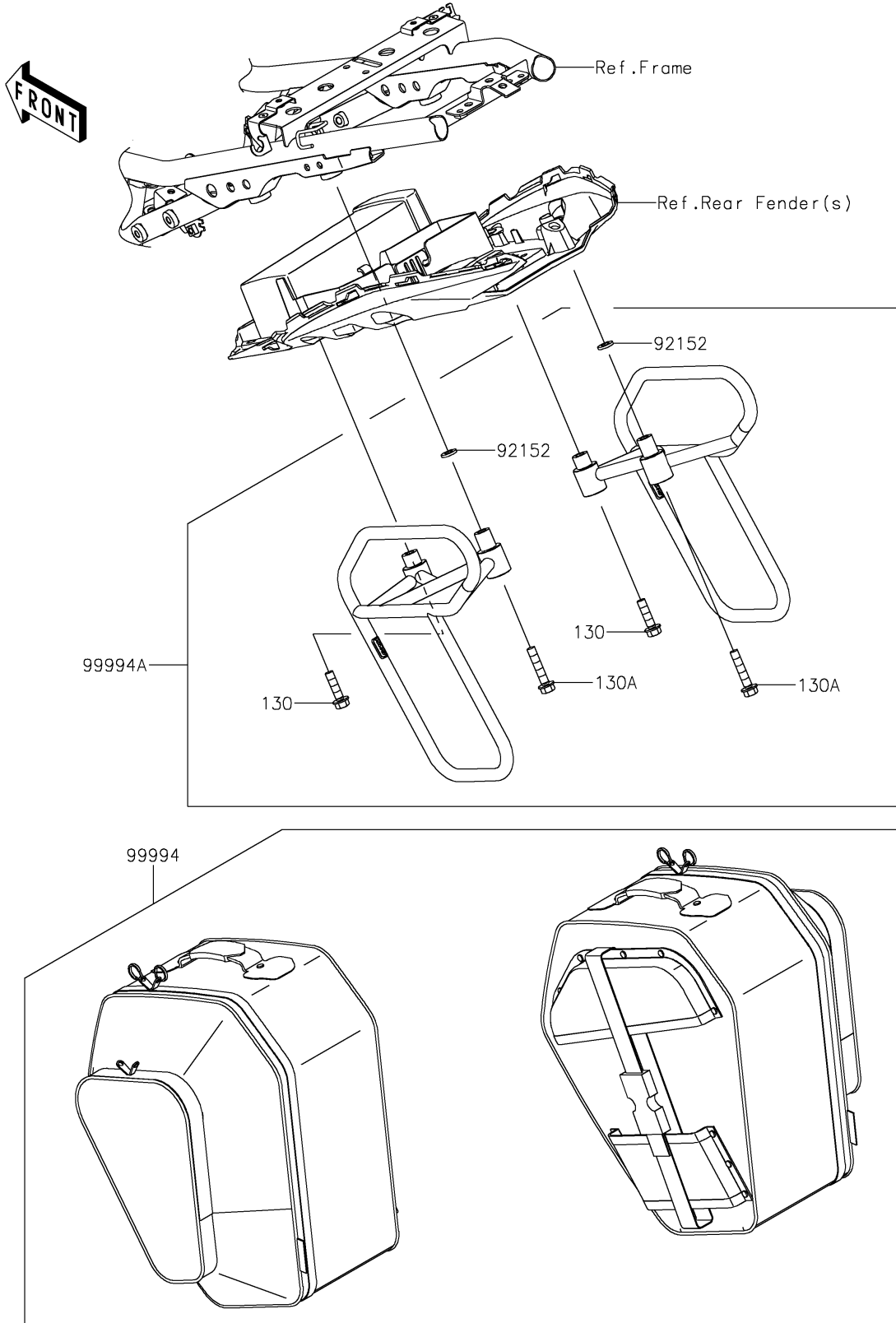


# 2024 NINJA<sup>®</sup> 650 PARTS DIAGRAM

Accessory(Pannier)

F2910F



## 2024 NINJA® 650 PARTS LIST

### Accessory(Pannier)

ITEM NAME	PART NUMBER	QUANTITY
COLLAR,8.5X16X2.3 (Ref # 92152)	92152-2320	2
KIT-ACC,PANNIER(SOFT-LUGGAGE) (Ref # 99994)	99994-0801	1
KIT-ACCESSORY,PANNIER BRACKET (Ref # 99994A)	99994-0802	1
BOLT-FLANGED,8X30 (Ref # 130)	130BA0830	2
BOLT-FLANGED,8X40 (Ref # 130A)	130BA0840	2