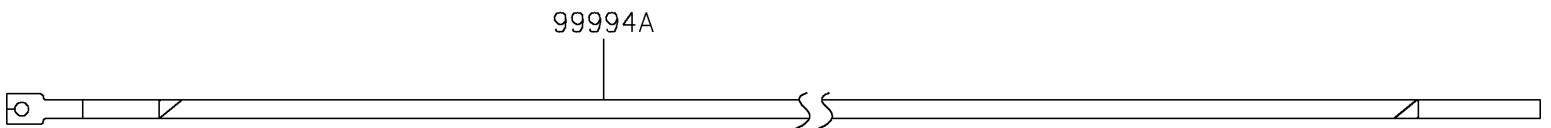
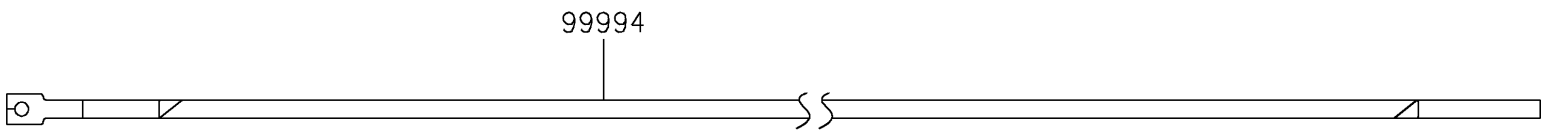
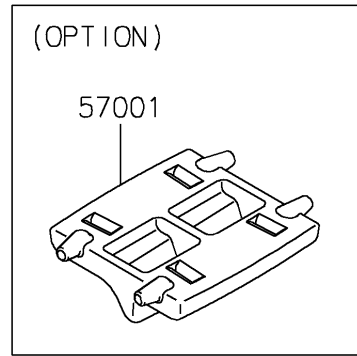


# 2023 NINJA® 650 PARTS DIAGRAM

Accessory(Decals)

F2910L



## 2023 NINJA<sup>®</sup> 650 PARTS LIST

### Accessory(Decals)

ITEM NAME	PART NUMBER	QUANTITY
RIM STRIPE APPLICATOR (Ref # 57001)	57001-1752	AR
WHEEL RIM TAPE, GREEN (Ref # 99994)	99994-0932	1
WHEEL RIM TAPE, SILVER (Ref # 99994A)	99994-0933	1