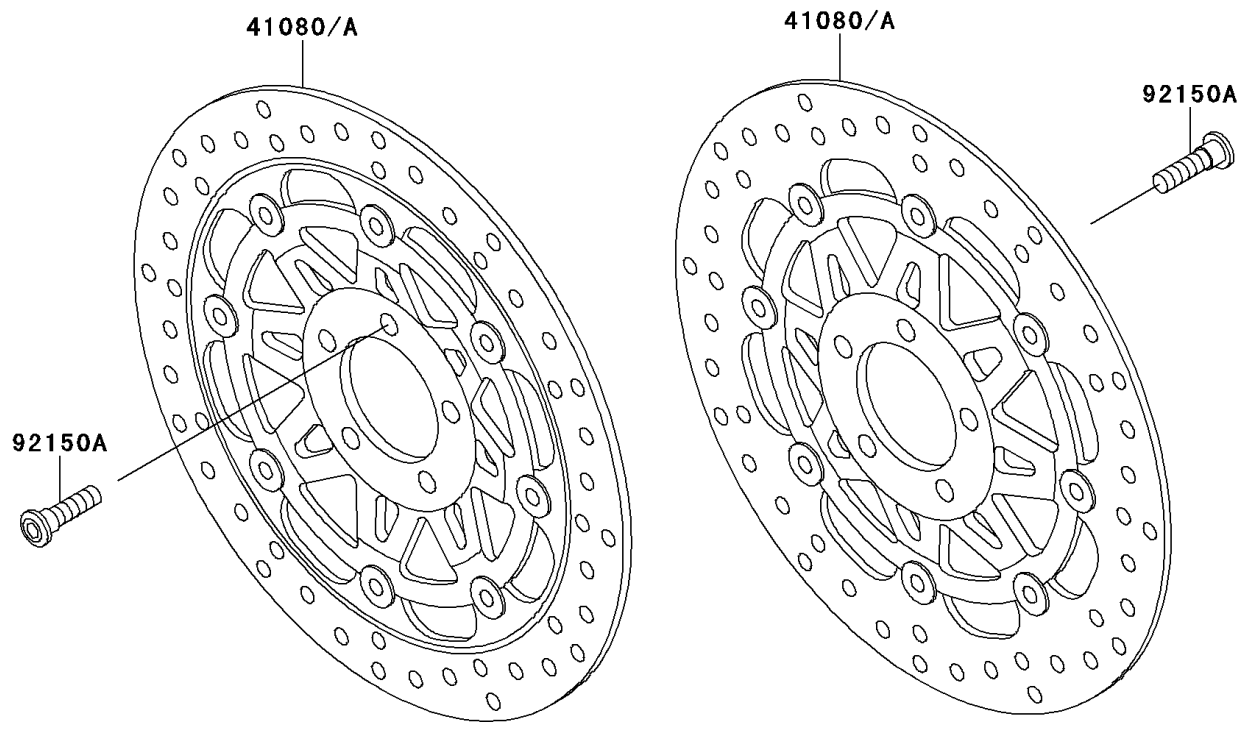
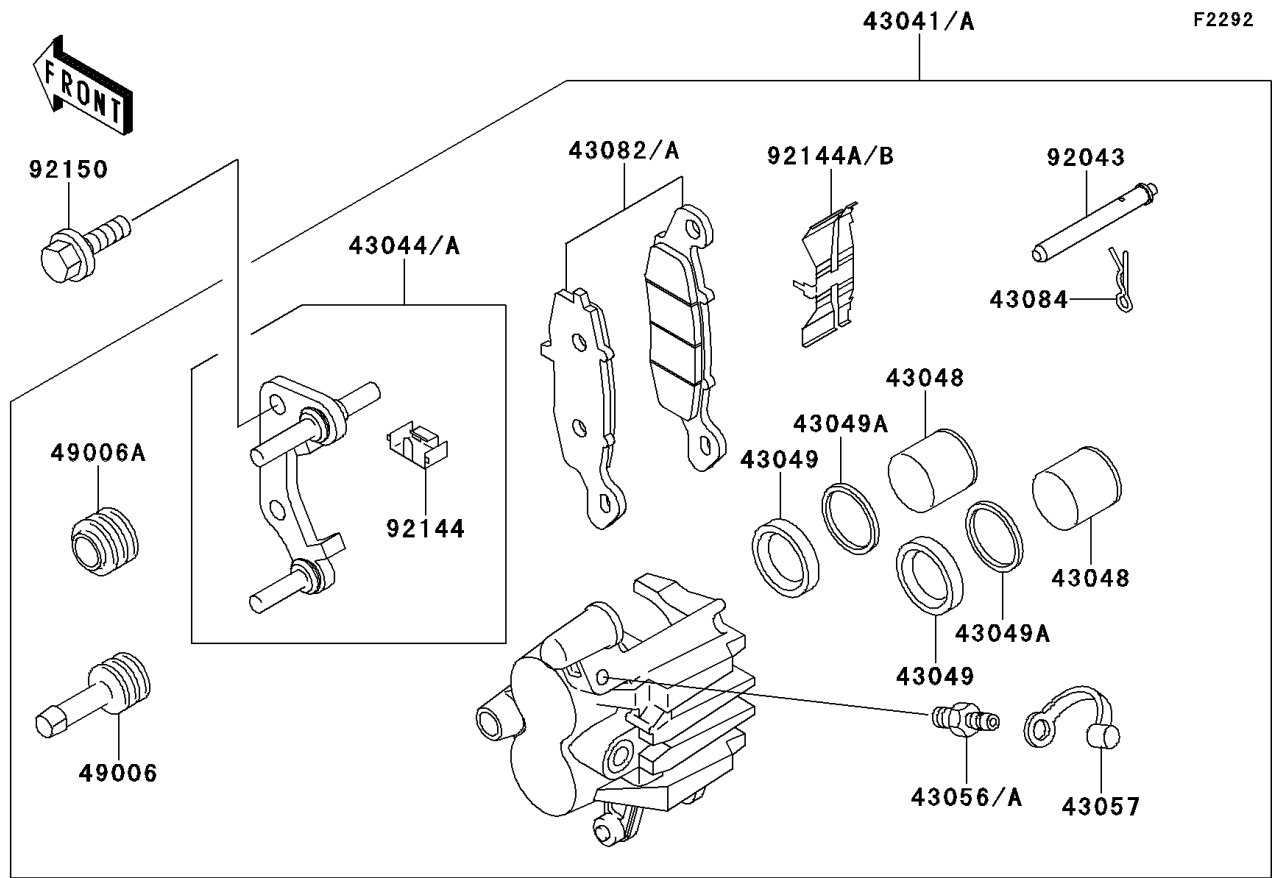


# 1996 GPZ 1100 PARTS DIAGRAM

Front Brake



# 1996 GPZ 1100 PARTS LIST

## Front Brake

ITEM NAME	PART NUMBER	QUANTITY
DISC,FR,GRAY/SILVER (Ref # 41080)	41080-1399-5C	2
CALIPER-ASSY,FR,LH,A.C.GRAY (Ref # 43041)	43041-1582-FE	1
CALIPER-ASSY,FR,RH,A.C.GRAY (Ref # 43041A)	43041-1583-FE	1
HOLDER-COMP-CALIPER,FR,LH (Ref # 43044)	43044-1115	1
HOLDER-COMP-CALIPER,FR,RH (Ref # 43044A)	43044-1116	1
PISTON-CALIPER (Ref # 43048)	43048-1073	4
PACKING (Ref # 43049)	43049-1067	4
PACKING (Ref # 43049A)	43049-1068	4
BREATHER (Ref # 43056)	43056-003	1
BREATHER-BRAKE (Ref # 43056A)	43056-1054	1
CAP-BREATHER (Ref # 43057)	43057-003	2
PAD-ASSY-BRAKE,LH (Ref # 43082)	43082-1177	1
PAD-ASSY-BRAKE,RH (Ref # 43082A)	43082-1178	1
CLAMP,PAD (Ref # 43084)	43084-003	2
BOOT,CALIPER (Ref # 49006)	49006-1054	2
BOOT,CALIPER (Ref # 49006A)	49006-1095	2
PIN,PAD (Ref # 92043)	92043-1489	2
SPRING,STOPPER (Ref # 92144)	92144-1831	2
SPRING,PAD,LH (Ref # 92144A)	92144-1832	1
SPRING,PAD,RH (Ref # 92144B)	92144-1844	1
BOLT,FLANGED,10X38 (Ref # 92150)	92150-1297	4
BOLT,DISC PLATE,8X30 (Ref # 92150A)	92150-1728	10