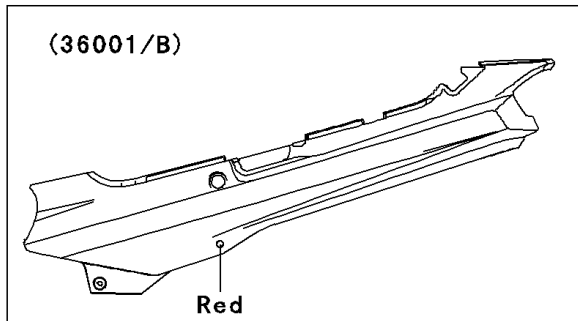
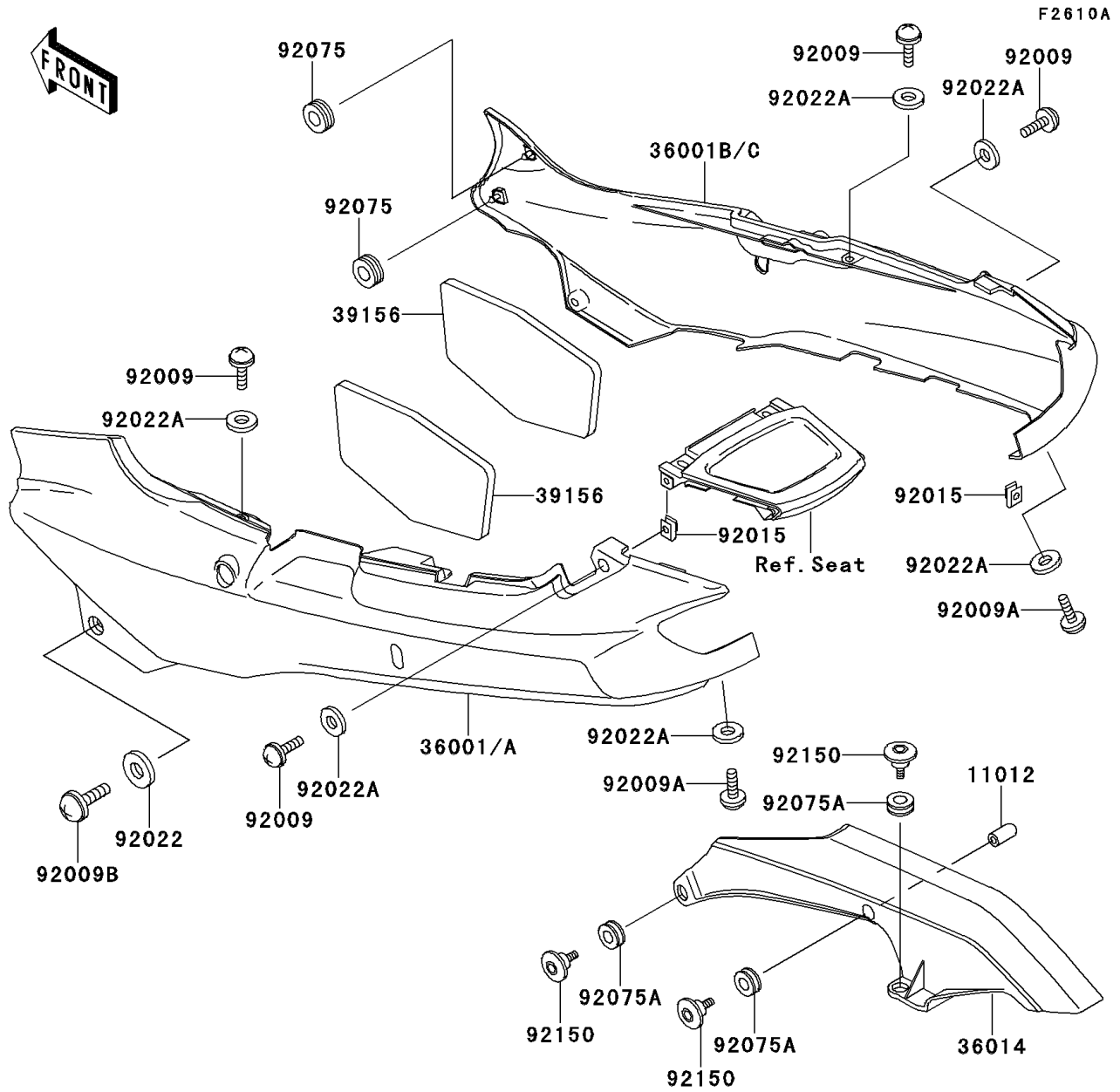
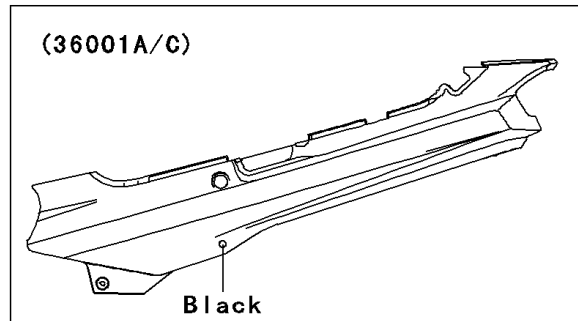


1996 GPZ 1100 PARTS DIAGRAM

Side Covers/Chain Cover(ZX1100-E2/E3)



WOD



WOD

1996 GPZ 1100 PARTS LIST

Side Covers/Chain Cover(ZX1100-E2/E3)

| ITEM NAME | PART NUMBER | QUANTITY |
|--|---------------|----------|
| CAP (Ref # 11012) | 11012-1438 | 1 |
| CASE-CHAIN (Ref # 36014) | 36014-1197 | 1 |
| PAD,SIDE,COVER (Ref # 39156) | 39156-1442 | 2 |
| SCREW,5X16 (Ref # 92009) | 92009-1654 | 4 |
| SCREW,5X20 (Ref # 92009A) | 92009-1656 | 2 |
| SCREW,6X14 (Ref # 92009B) | 92009-1662 | 2 |
| NUT,5MM (Ref # 92015) | 92015-1798 | 4 |
| WASHER,6.5X16X1 (Ref # 92022) | 92022-1143 | 2 |
| WASHER,NYLON,5.3X11.5X1.5 (Ref # 92022A) | 92022-1521 | 6 |
| DAMPER (Ref # 92075) | 92075-1629 | 4 |
| DAMPER (Ref # 92075A) | 92075-1634 | 3 |
| BOLT,SOCKET,6MM (Ref # 92150) | 92150-1154 | 3 |
| COVER-SIDE,LH,C.P.RED (Ref # 36001) | 36001-1546-A5 | 1 |
| COVER-SIDE,LH,P.G.BLACK (Ref # 36001A) | 36001-1546-RL | 1 |
| COVER-SIDE,RH,C.P.RED (Ref # 36001B) | 36001-1547-A5 | 1 |
| COVER-SIDE,RH,P.G.BLACK (Ref # 36001C) | 36001-1547-RL | 1 |