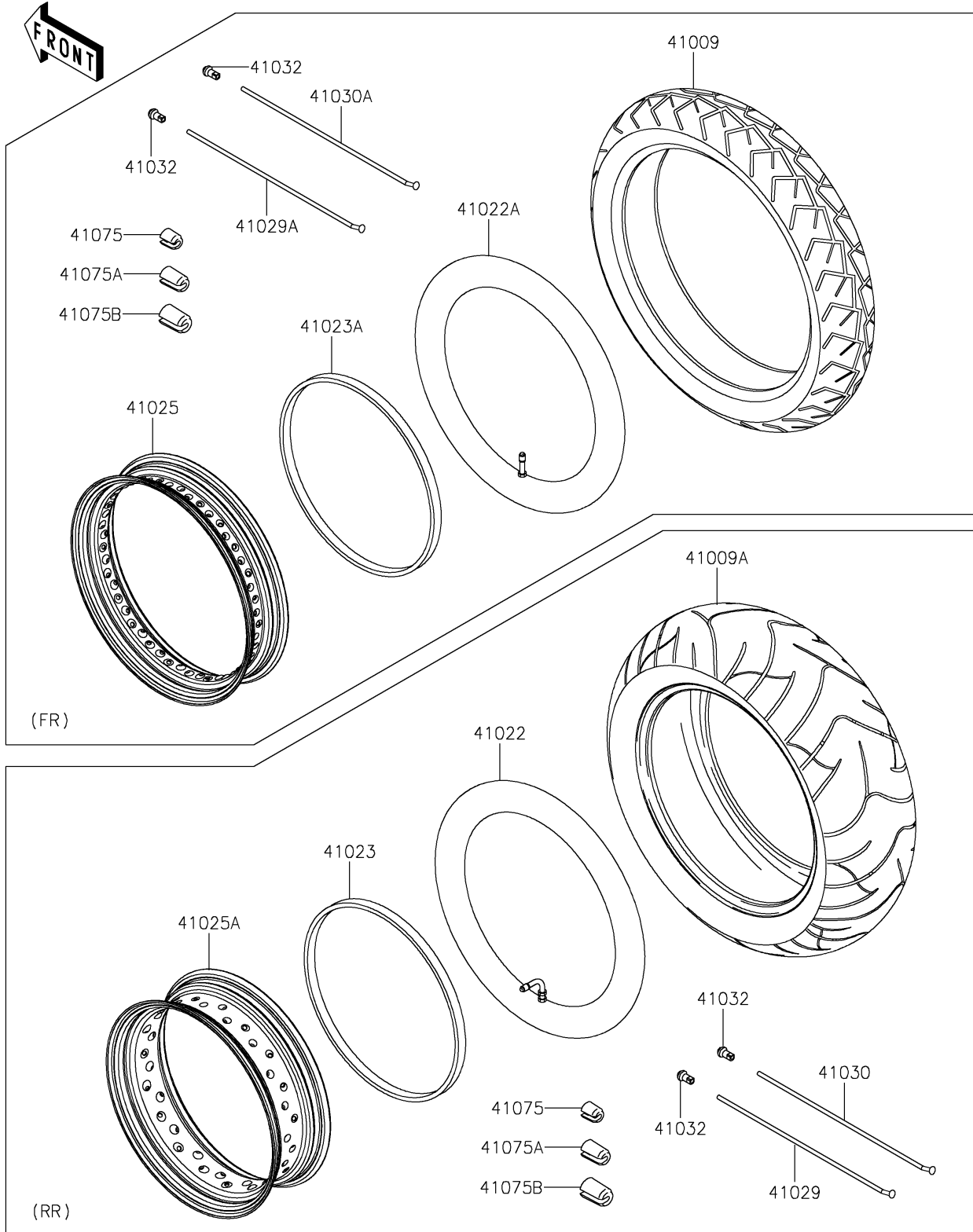


2025 Vulcan 900 Classic LT PARTS DIAGRAM

Tires

F2210



2025 Vulcan 900 Classic LT PARTS LIST

Tires

ITEM NAME	PART NUMBER	QUANTITY
TIRE,FR,130/90-16 67H,D404F(D) (Ref # 41009)	41009-0651	1
TIRE,RR,180/70-15 76H,D404(D) (Ref # 41009A)	41009-0665	1
TUBE-TIRE,180/70-15(D) (Ref # 41022)	41022-0024	1
TUBE-TIRE,130/90-16(D) (Ref # 41022A)	41022-1192	1
BAND-RIM,180/70-15(D) (Ref # 41023)	41023-0008	1
BAND-RIM,140/90-16(D) (Ref # 41023A)	41023-1102	1
RIM,FR,3.00X16 (Ref # 41025)	41025-0046	1
RIM,RR,4.50X15 (Ref # 41025A)	41025-0062	1
SPOKE-INNER,RR,92.5MMX109.5D (Ref # 41029)	41029-0022	18
SPOKE-INNER,FR,154.5MMX117D (Ref # 41029A)	41029-0026	24
SPOKE-OUTER,RR,91.5MMX109D (Ref # 41030)	41030-0008	18
SPOKE-OUTER,FR,151.5MMX116D (Ref # 41030A)	41030-0012	24
NIPPLE-SPOKE (Ref # 41032)	41032-0005	84
BALANCER-WHEEL,10G (Ref # 41075)	41075-0011	AR
BALANCER-WHEEL,20G (Ref # 41075A)	41075-0012	AR
BALANCER-WHEEL,30G (Ref # 41075B)	41075-0013	AR