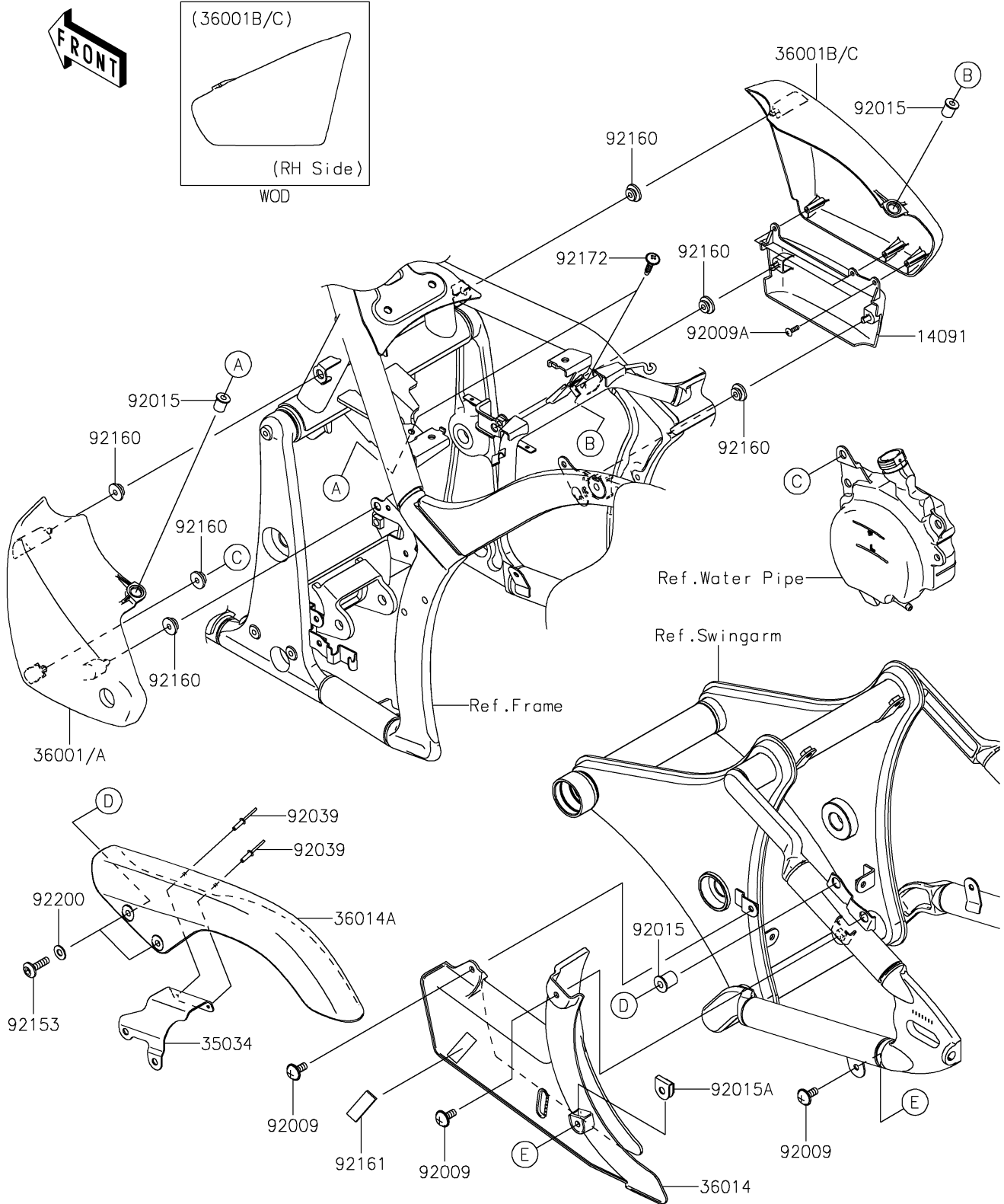


# 2022 VULCAN® 900 CLASSIC LT PARTS DIAGRAM

## Side Covers/Chain Cover

F2610



## 2022 VULCAN® 900 CLASSIC LT PARTS LIST

### Side Covers/Chain Cover

| ITEM NAME                             | PART NUMBER    | QUANTITY |
|---------------------------------------|----------------|----------|
| COVER,SIDE COVER,RH (Ref # 14091)     | 14091-0641     | 1        |
| REINFORCE (Ref # 35034)               | 35034-0082     | 1        |
| COVER-SIDE,LH,P.N.TEAL (Ref # 36001)  | 36001-0081-68D | 1        |
| COVER-SIDE,RH,P.N.TEAL (Ref # 36001B) | 36001-0082-68D | 1        |
| CASE-CHAIN,LWR (Ref # 36014)          | 36014-0031     | 1        |
| CASE-CHAIN,UPP (Ref # 36014A)         | 36014-0032     | 1        |
| SCREW,6X14 (Ref # 92009)              | 92009-1662     | 3        |
| SCREW,TAPPING,4X14 (Ref # 92009A)     | 92009-1792     | 3        |
| NUT (Ref # 92015)                     | 92015-1700     | 4        |
| NUT,CLIP,6MM (Ref # 92015A)           | 92015-1904     | 1        |
| RIVET (Ref # 92039)                   | 92039-1251     | 2        |
| BOLT,SOCKET,6X22 (Ref # 92153)        | 92153-1356     | 2        |
| DAMPER (Ref # 92160)                  | 92160-1613     | 6        |
| DAMPER (Ref # 92161)                  | 92161-0124     | 1        |
| SCREW,6X26 (Ref # 92172)              | 92172-0137     | 2        |
| WASHER,6.5X14X1 (Ref # 92200)         | 92200-1388     | 2        |