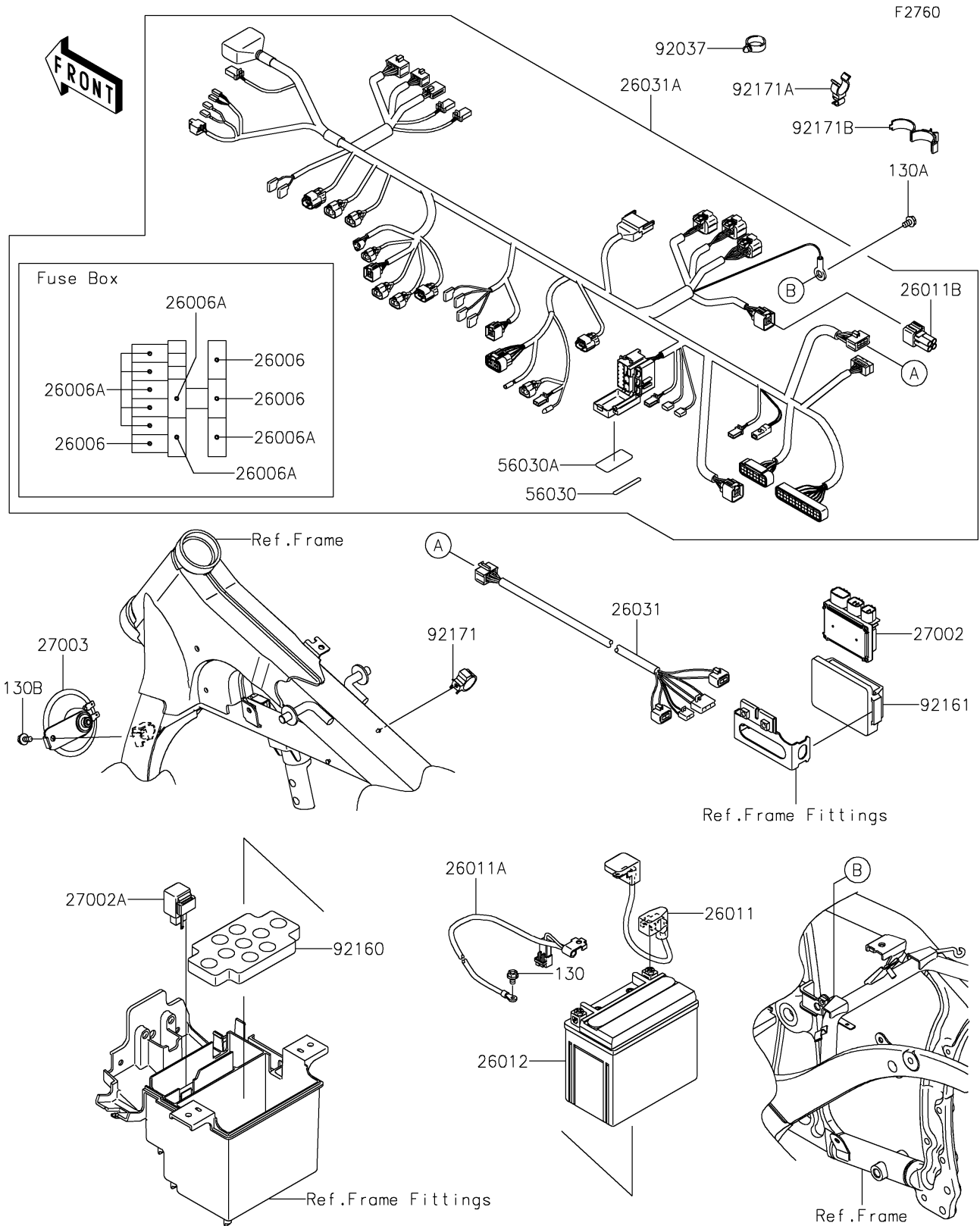


# 2022 VULCAN® 900 CLASSIC LT PARTS DIAGRAM

## Chassis Electrical Equipment



# 2022 VULCAN® 900 CLASSIC LT PARTS LIST

Chassis Electrical Equipment

ITEM NAME	PART NUMBER	QUANTITY
-----------	-------------	----------