

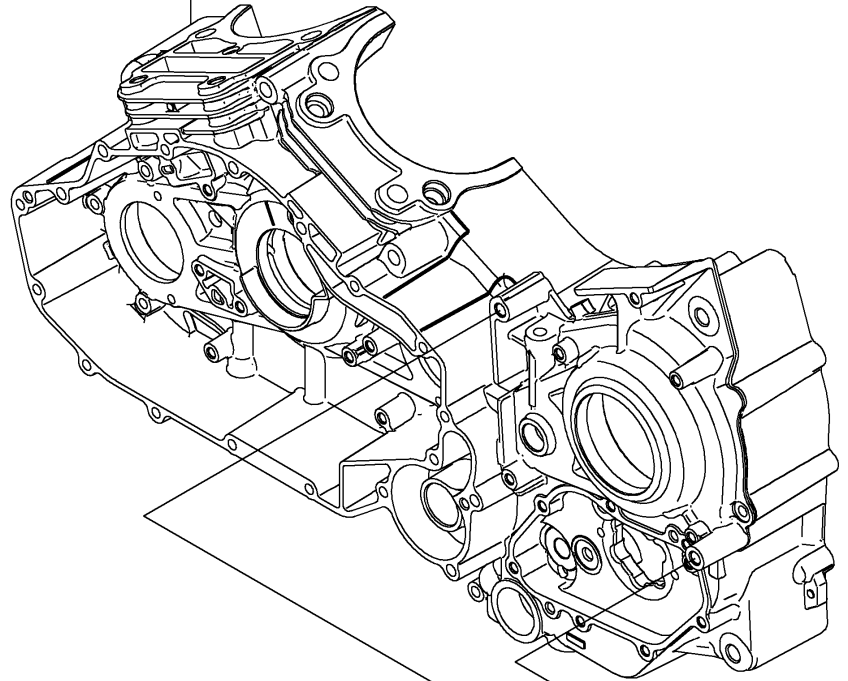
2023 Vulcan[®] 1700 Voyager ABS PARTS DIAGRAM

Chain Cover

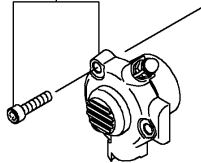
E1433



Ref. Crankcase

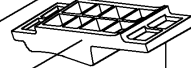


Ref. Clutch



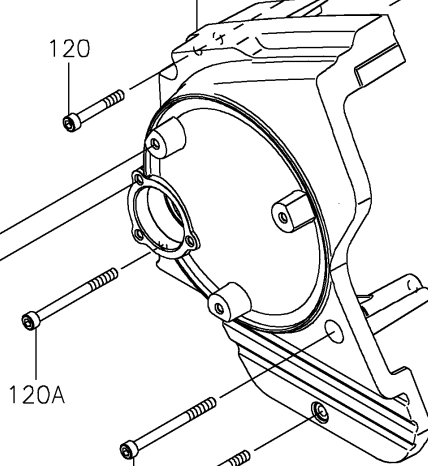
92043

14091



49048

120



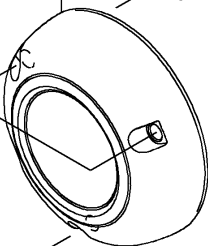
92043

53044

14091A

120A

92153



120A

120

92153

2023 Vulcan® 1700 Voyager ABS PARTS LIST

Chain Cover

ITEM NAME	PART NUMBER	QUANTITY
COVER,PULLEY (Ref # 14091)	14091-0970	1
COVER,PULLEY,OUTER (Ref # 14091A)	14091-0994	1
SHOE (Ref # 49048)	49048-0004	1
TRIM,ISOLATOR (Ref # 53044)	53044-0047	1
PIN,6.2X8X14 (Ref # 92043)	92043-1263	2
BOLT,SOCKET,6X22 (Ref # 92153)	92153-1331	3
BOLT-SOCKET,6X40 (Ref # 120)	120CC0640	2
BOLT-SOCKET,6X70 (Ref # 120A)	120CC0670	2