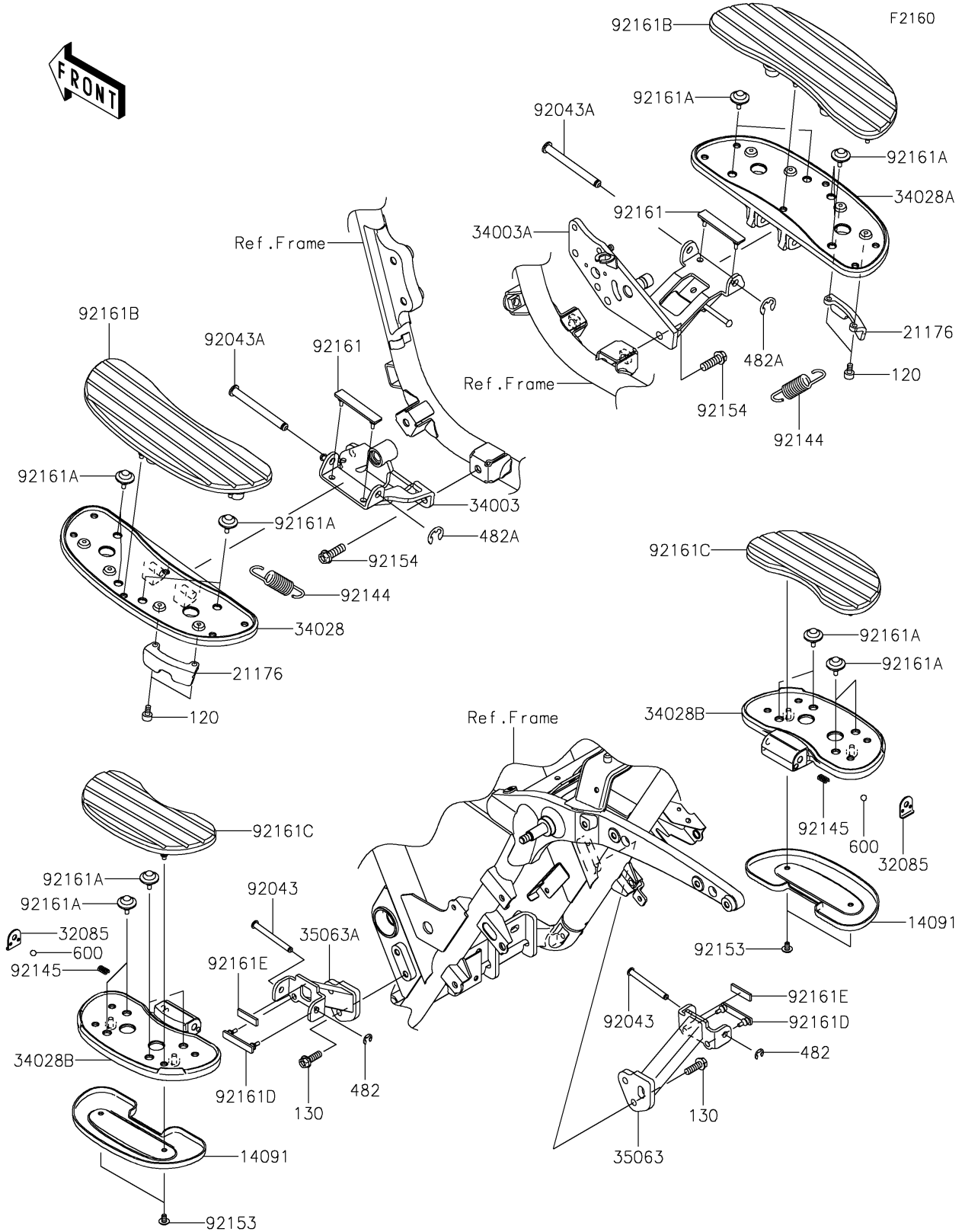


2023 VULCAN® 1700 VOYAGER® ABS PARTS DIAGRAM

Footrests



2023 VULCAN® 1700 VOYAGER® ABS PARTS LIST

Footrests

ITEM NAME	PART NUMBER	QUANTITY
COVER,REAR STEP (Ref # 14091)	14091-1808	2
SENSOR,BANK (Ref # 21176)	21176-0123	2
STOPPER,REAR STEP (Ref # 32085)	32085-0045	2
HOLDER-STEP,FR,LH,F.S.BLACK (Ref # 34003)	34003-0102-18R	1
HOLDER-STEP,FR,RH,F.S.BLACK (Ref # 34003A)	34003-0103-18R	1
STEP,FR,LH (Ref # 34028)	34028-0143	1
STEP,FR,RH (Ref # 34028A)	34028-0144	1
STEP,RR (Ref # 34028B)	34028-0145	2
STAY,RR,RH,F.S.BLACK (Ref # 35063)	35063-0649-18R	1
STAY,RR,LH,F.S.BLACK (Ref # 35063A)	35063-0669-18R	1
PIN,8X76.5 (Ref # 92043)	92043-0054	2
PIN,10X98.5 (Ref # 92043A)	92043-1707	2
SPRING (Ref # 92144)	92144-1266	2
SPRING (Ref # 92145)	92145-1319	2
BOLT,SOCKET,6X10 (Ref # 92153)	92153-1096	4
BOLT,FLANGED,10X30 (Ref # 92154)	92154-0284	4
DAMPER,STEP HOLDER (Ref # 92161)	92161-0746	2
DAMPER,STEP (Ref # 92161A)	92161-0766	16
DAMPER,FOOT BOARD (Ref # 92161B)	92161-0770	2
DAMPER,REAR STEP (Ref # 92161C)	92161-0771	2
DAMPER,REAR STEP (Ref # 92161D)	92161-0772	2
DAMPER,10X35X3 (Ref # 92161E)	92161-0840	2
BOLT-SOCKET,6X16 (Ref # 120)	120CB0616	4
BOLT-FLANGED,8X25 (Ref # 130)	130BB0825	4
CIRCLIP-TYPE-E (Ref # 482)	482EA7000	2
CIRCLIP-TYPE-E,8MM (Ref # 482A)	482EA8000	2
BALL-STEEL,1/4 (Ref # 600)	600A0800	2