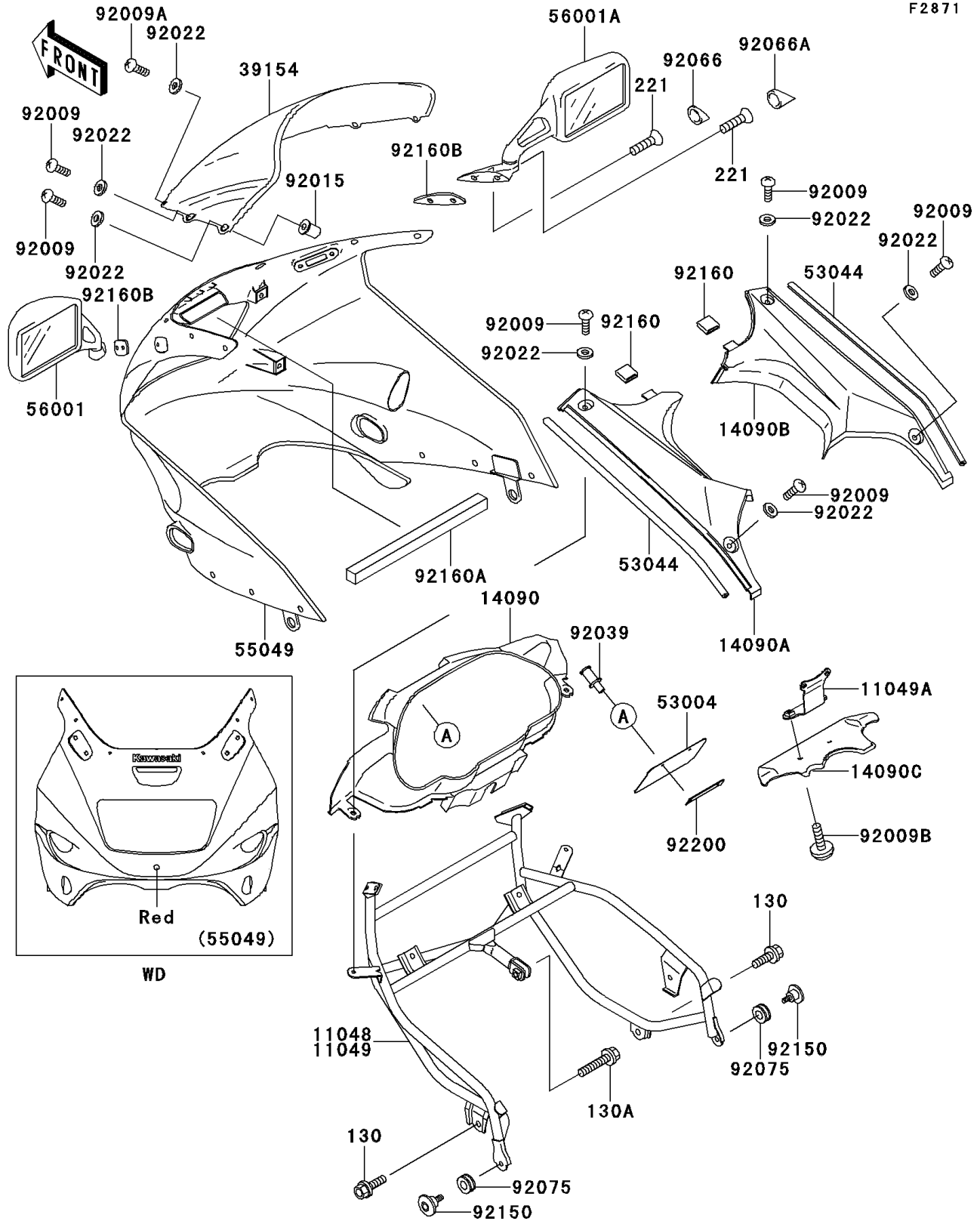


1995 GPZ 1100 PARTS DIAGRAM

Cowling (ZX1100-E1)

F2871



1995 GPZ 1100 PARTS LIST

Cowling (ZX1100-E1)

ITEM NAME	PART NUMBER	QUANTITY
BOLT-FLANGED (Ref # 130)	130J0812	2
BOLT-FLANGED,8X25,BLACK (Ref # 130A)	130J0825	1
SCREW-CSK-CROS,6X25,BLACK (Ref # 221)	221C0625	4
BRACKET (Ref # 11049A)	11049-1267	1
COVER,INNER,FR (Ref # 14090)	14090-1546	1
COVER,INNER,LH (Ref # 14090A)	14090-1547	1
COVER,INNER,RH (Ref # 14090B)	14090-1548	1
COVER (Ref # 14090C)	14090-1616	1
WINDSHIELD (Ref # 39154)	39154-1130	1
MAT,INNER COVER (Ref # 53004)	53004-1094	1
TRIM,L=404 (Ref # 53044)	53044-1284	2
COWLING.,UPP,C.P.RED (Ref # 55049)	55049-5395-A5	1
MIRROR-ASSY,LH (Ref # 56001)	56001-1305	1
MIRROR-ASSY,RH (Ref # 56001A)	56001-1306	1
SCREW,5X16 (Ref # 92009)	92009-1654	8
SCREW,5X20 (Ref # 92009A)	92009-1656	2
SCREW,6X10 (Ref # 92009B)	92009-1661	2
NUT,WELL,5MM (Ref # 92015)	92015-1757	6
WASHER,NYLON,5.3X11.5X1.5 (Ref # 92022)	92022-1521	10
RIVET (Ref # 92039)	92039-1147	2
PLUG (Ref # 92066)	92066-1428	2
PLUG (Ref # 92066A)	92066-1429	2
DAMPER (Ref # 92075)	92075-1634	2
BOLT,SOCKET,6MM (Ref # 92150)	92150-1154	2
DAMPER (Ref # 92160)	92160-1190	2
DAMPER (Ref # 92160A)	92160-1646	1
DAMPER,MIRROR (Ref # 92160B)	92160-1665	2
WASHER,MAT (Ref # 92200)	92200-1267	1
BRACKET,UPP COWLING (Ref # 11048)	11048-1987	1

1995 GPZ 1100 PARTS LIST

Cowling (ZX1100-E1)

ITEM NAME	PART NUMBER	QUANTITY
BRACKET,UPP COWLING (Ref # 11049)	11049-1065	1