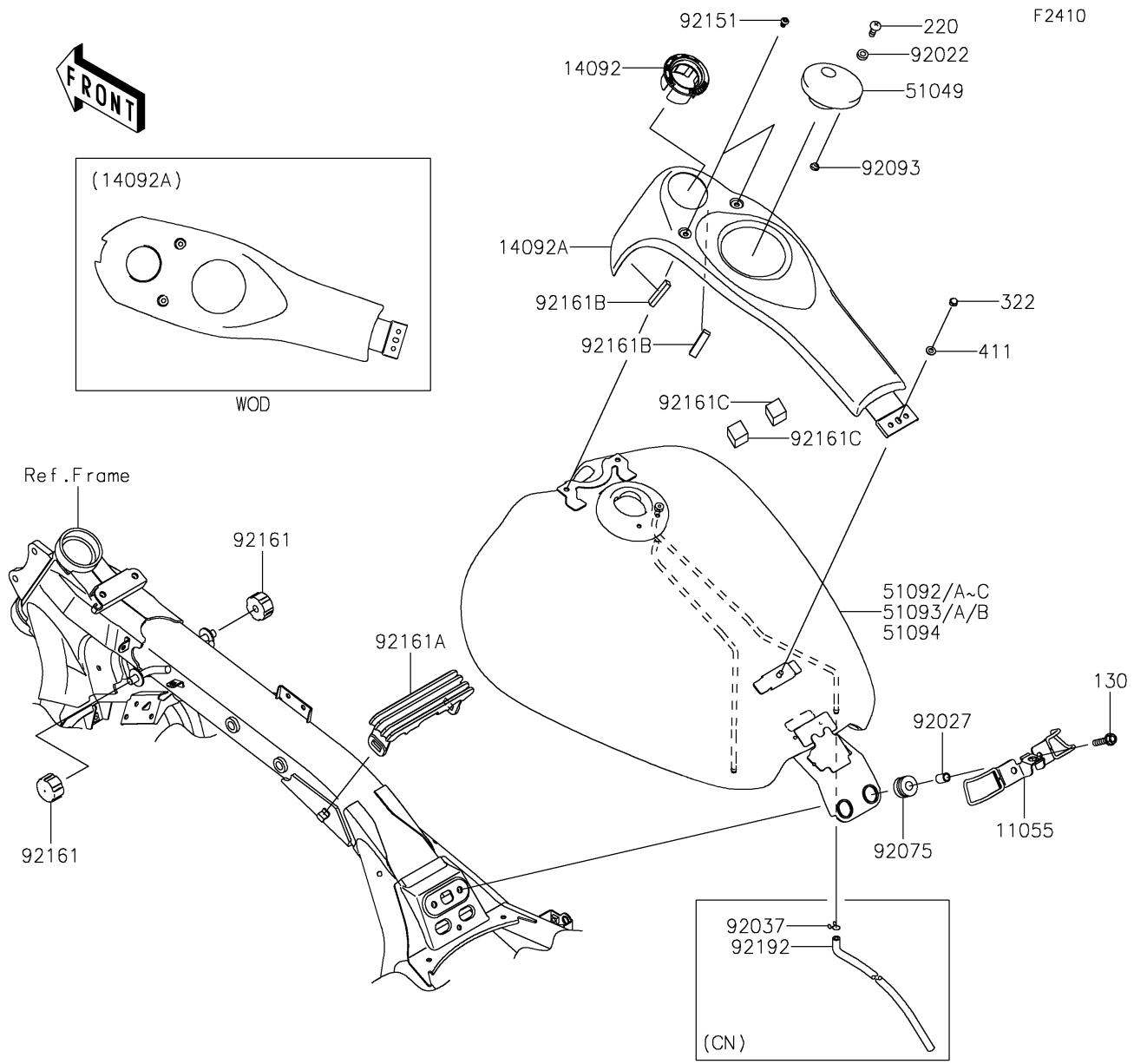
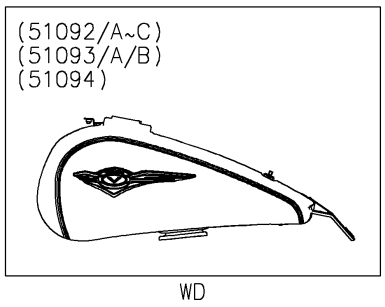
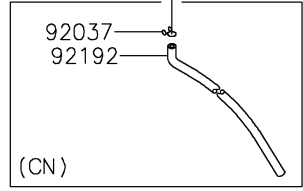
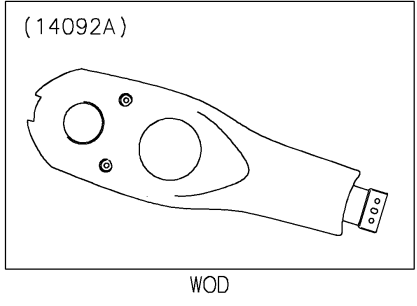


# 2023 Vulcan® 1700 Voyager ABS PARTS DIAGRAM

Fuel Tank



F2410



## 2023 Vulcan® 1700 Voyager ABS PARTS LIST

### Fuel Tank

ITEM NAME	PART NUMBER	QUANTITY
BRACKET,SEAT (Ref # 11055)	11055-1552	1
COVER,IGNITION SWITCH (Ref # 14092)	14092-0046	1
COVER,FUEL TANK (Ref # 14092A)	14092-0116	1
CAP-TANK,FUEL (Ref # 51049)	51049-0003	1
TANK-COMP-FUEL,P.S.GRAY+EBY (Ref # 51092B)	51092-5465-60W	1
TANK-COMP-FUEL,P.S.GRAY+EBY (Ref # 51092C)	51092-5466-60W	1
WASHER,5.1X10X1.0 (Ref # 92022)	92022-1977	2
COLLAR,8.8X12X17 (Ref # 92027)	92027-034	2
CLAMP,TUBE (Ref # 92037)	92037-147	1
DAMPER (Ref # 92075)	92075-1736	2
SEAL,FUEL TANK CAP (Ref # 92093)	92093-1030	1
BOLT,SOCKET,6X10 (Ref # 92151)	92151-1449	2
DAMPER,FUEL TANK (Ref # 92161)	92161-0293	2
DAMPER,FUEL TANK (Ref # 92161A)	92161-0577	1
DAMPER,10X40X7 (Ref # 92161B)	92161-1502	2
DAMPER,25X25X13 (Ref # 92161C)	92161-1503	2
TUBE,BREATHER (Ref # 92192)	92192-0668	1
BOLT-FLANGED,8X30 (Ref # 130)	130BA0830	2
SCREW-PAN-CROS,5X10 (Ref # 220)	220AA0510	2
NUT-CAP,6MM (Ref # 322)	322AB0600	1
WASHER-PLAIN,6MM (Ref # 411)	411S0600	1