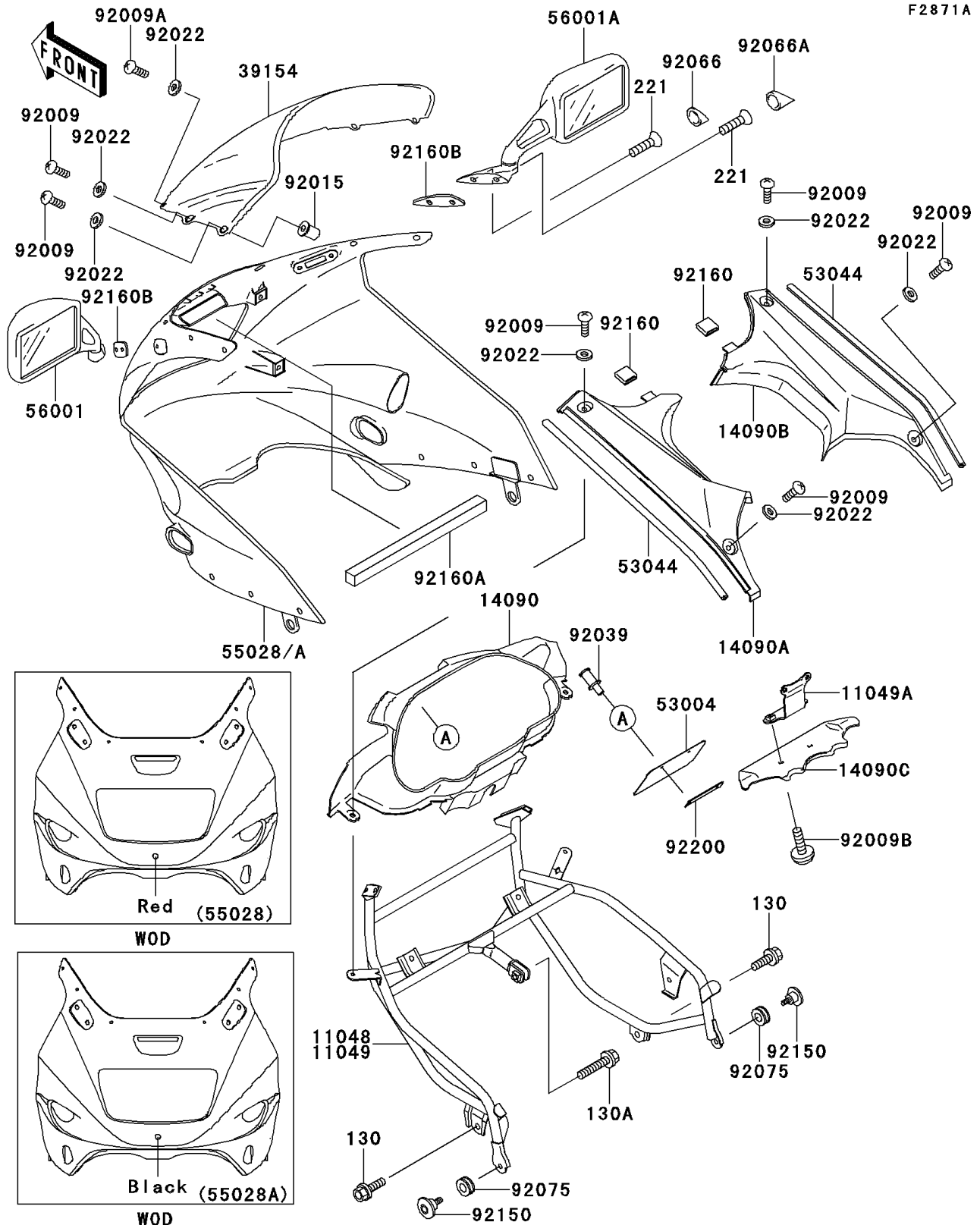


1996 GPZ 1100 PARTS DIAGRAM

Cowling (ZX1100-E2/E3)



1996 GPZ 1100 PARTS LIST

Cowling (ZX1100-E2/E3)

| ITEM NAME | PART NUMBER | QUANTITY |
|---|-------------|----------|
| BOLT-FLANGED (Ref # 130) | 130J0812 | 2 |
| BOLT-FLANGED,8X25,BLACK (Ref # 130A) | 130J0825 | 1 |
| SCREW-CSK-CROS,6X25,BLACK (Ref # 221) | 221C0625 | 4 |
| BRACKET (Ref # 11049A) | 11049-1267 | 1 |
| COVER,INNER,FR (Ref # 14090) | 14090-1546 | 1 |
| COVER,INNER,LH (Ref # 14090A) | 14090-1547 | 1 |
| COVER,INNER,RH (Ref # 14090B) | 14090-1548 | 1 |
| COVER (Ref # 14090C) | 14090-1658 | 1 |
| WINDSHIELD (Ref # 39154) | 39154-1130 | 1 |
| MAT,INNER COVER (Ref # 53004) | 53004-1094 | 1 |
| TRIM,L=404 (Ref # 53044) | 53044-1284 | 2 |
| MIRROR-ASSY,LH (Ref # 56001) | 56001-1449 | 1 |
| MIRROR-ASSY,RH (Ref # 56001A) | 56001-1450 | 1 |
| SCREW,5X16 (Ref # 92009) | 92009-1654 | 8 |
| SCREW,5X20 (Ref # 92009A) | 92009-1656 | 2 |
| SCREW,6X10 (Ref # 92009B) | 92009-1661 | 2 |
| NUT,WELL,5MM (Ref # 92015) | 92015-1757 | 6 |
| WASHER,NYLON,5.3X11.5X1.5 (Ref # 92022) | 92022-1521 | 10 |
| RIVET (Ref # 92039) | 92039-1147 | 2 |
| PLUG (Ref # 92066) | 92066-1428 | 2 |
| PLUG (Ref # 92066A) | 92066-1429 | 2 |
| DAMPER (Ref # 92075) | 92075-1634 | 2 |
| BOLT,SOCKET,6MM (Ref # 92150) | 92150-1154 | 2 |
| DAMPER (Ref # 92160) | 92160-1190 | 2 |
| DAMPER (Ref # 92160A) | 92160-1646 | 1 |
| DAMPER,MIRROR (Ref # 92160B) | 92160-1665 | 2 |
| WASHER,MAT (Ref # 92200) | 92200-1267 | 1 |
| BRACKET,UPP COWLING (Ref # 11048) | 11048-1987 | 1 |
| BRACKET,UPP COWLING (Ref # 11049) | 11049-1065 | 1 |

1996 GPZ 1100 PARTS LIST

Cowling (ZX1100-E2/E3)

| ITEM NAME | PART NUMBER | QUANTITY |
|--------------------------------------|---------------|----------|
| COWLING,UPP,C.P.RED (Ref # 55028) | 55028-1334-A5 | 1 |
| COWLING,UPP,P.G.BLACK (Ref # 55028A) | 55028-1334-RL | 1 |