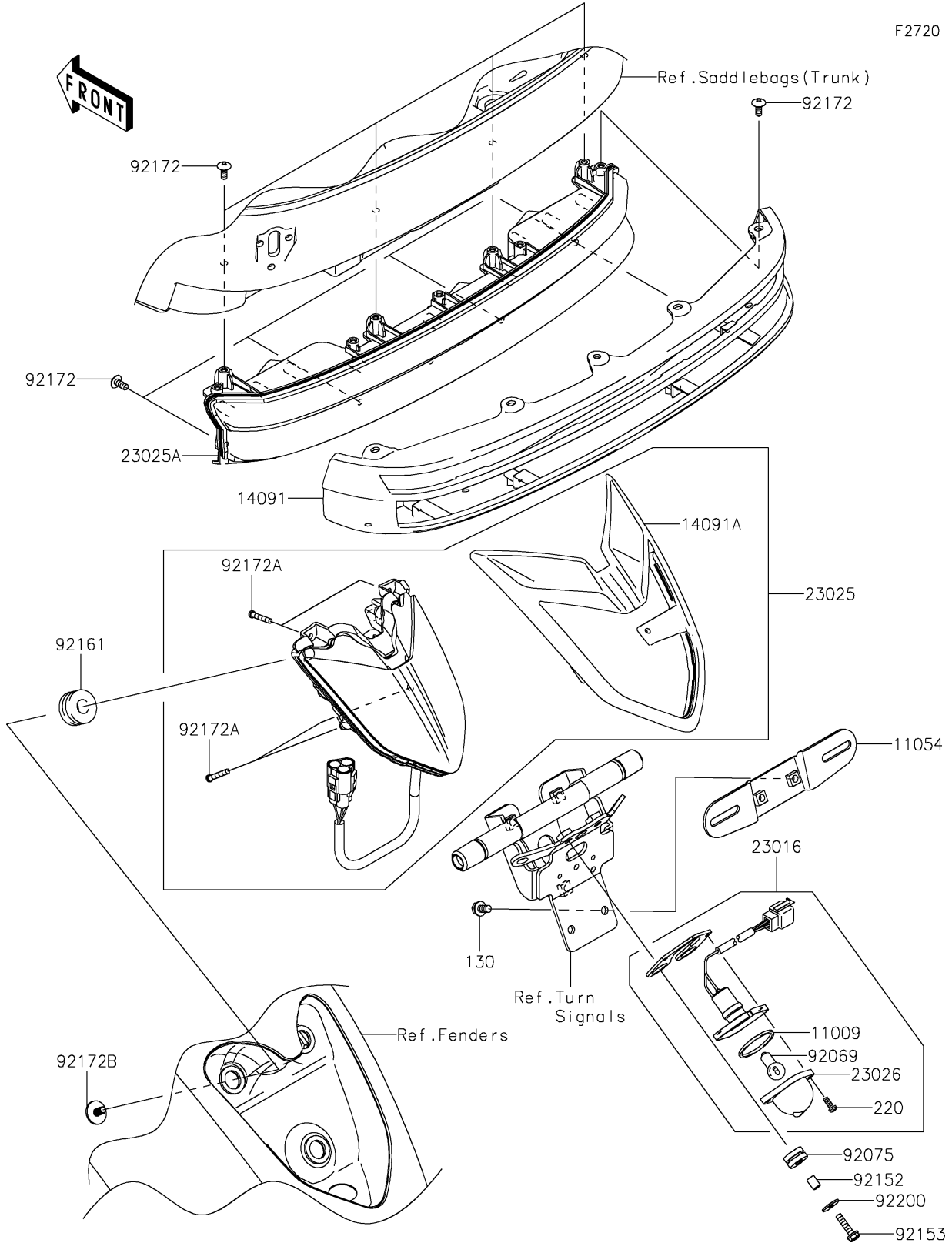


2023 VULCAN® 1700 VOYAGER® ABS PARTS DIAGRAM

Taillight(s)

F2720



2023 VULCAN® 1700 VOYAGER® ABS PARTS LIST

Taillight(s)

| ITEM NAME | PART NUMBER | QUANTITY |
|---|-------------|----------|
| GASKET,LICENSE PLATE LAMP (Ref # 11009) | 11009-1372 | 1 |
| BRACKET,LICENSE (Ref # 11054) | 11054-1761 | 1 |
| COVER,HIGH MOUNT LAMP (Ref # 14091) | 14091-0955 | 1 |
| COVER,TAIL LAMP (Ref # 14091A) | 14091-1592 | 1 |
| LAMP-ASSY,LICENSE (Ref # 23016) | 23016-0032 | 1 |
| LAMP-TAIL (Ref # 23025) | 23025-0052 | 1 |
| LAMP-TAIL,HIGH MOUNT (Ref # 23025A) | 23025-0053 | 1 |
| LENS,LAMP (Ref # 23026) | 23026-1054 | 1 |
| BULB,12V 5W (Ref # 92069) | 92069-1055 | 1 |
| DAMPER (Ref # 92075) | 92075-209 | 2 |
| COLLAR,6.8X10X13 (Ref # 92152) | 92152-0580 | 2 |
| BOLT,FLANGED,6X25 (Ref # 92153) | 92153-0514 | 2 |
| DAMPER (Ref # 92161) | 92161-0163 | 3 |
| SCREW,TAPPING,5X14 (Ref # 92172) | 92172-0006 | 13 |
| SCREW,TAPPING,4X16 (Ref # 92172A) | 92172-0392 | 4 |
| SCREW,TAPPING+PW,5X14 (Ref # 92172B) | 92172-0477 | 3 |
| WASHER,6.5X20X1.6 (Ref # 92200) | 92200-0283 | 2 |
| BOLT-FLANGED,6X12 (Ref # 130) | 130BB0612 | 2 |
| SCREW-PAN-CROS,4X10 (Ref # 220) | 220AA0410 | 2 |