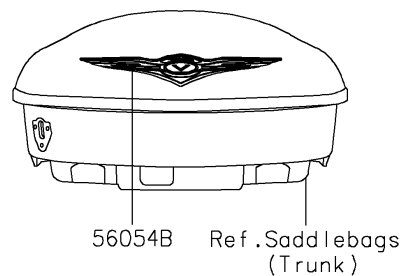
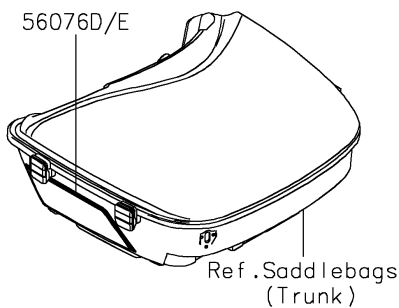
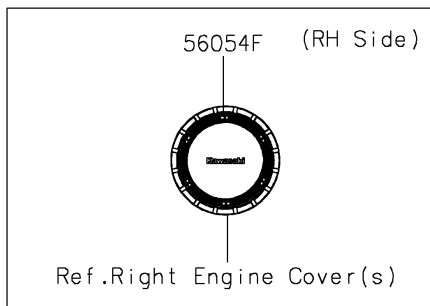
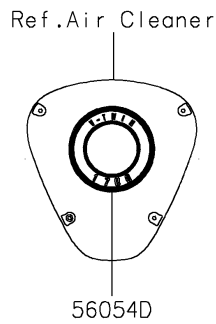
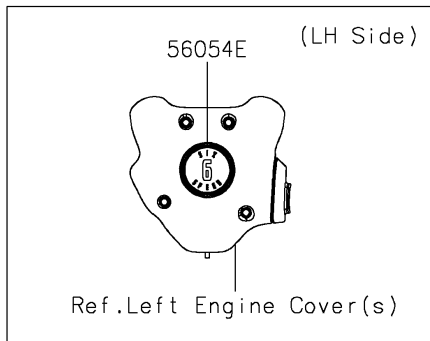
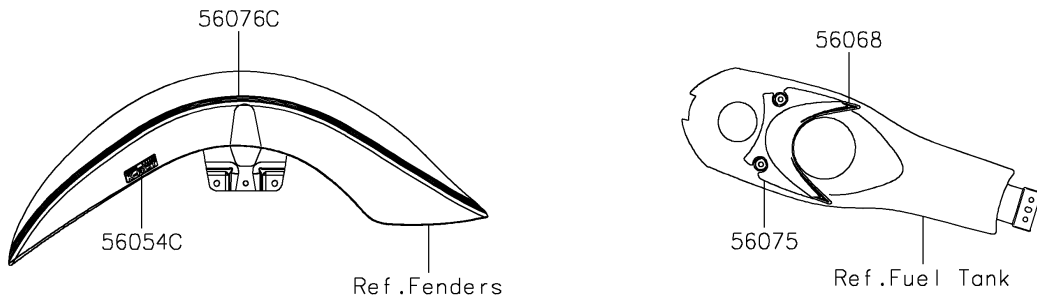
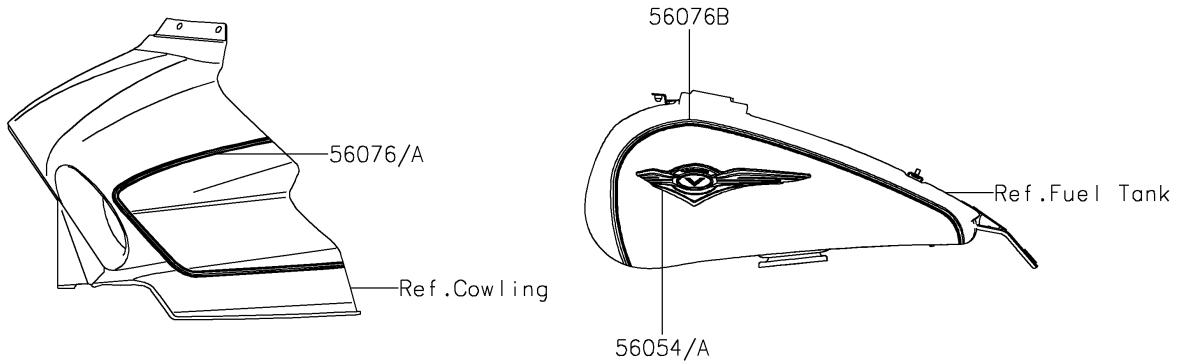


# 2023 Vulcan® 1700 Voyager ABS PARTS DIAGRAM

Decals(BPFNN/BPFNL)

F2861A



## 2023 Vulcan® 1700 Voyager ABS PARTS LIST

Decals(BPFNN/BPFNL)

ITEM NAME	PART NUMBER	QUANTITY
MARK,FUEL TANK,LH (Ref # 56054)	56054-0300	1
MARK,FUEL TANK,RH (Ref # 56054A)	56054-0301	1
MARK,REAR TRUNK (Ref # 56054B)	56054-0302	1
MARK,FR FENDER,ABS (Ref # 56054C)	56054-0456	2
MARK,A/C,V-TWIN 1700 (Ref # 56054D)	56054-1147	2
MARK,GEN. COVER,6 SPEED (Ref # 56054E)	56054-1148	1
MARK,E/G COVER,KAWASAKI (Ref # 56054F)	56054-1149	1
PATTERN,TANK COVER,LWR (Ref # 56068)	56068-1882	1
PATTERN,TANK COVER,UPP (Ref # 56075)	56075-0592	1
PATTERN,UPP COWL.,LH (Ref # 56076)	56076-7612	1
PATTERN,UPP COWL.,RH (Ref # 56076A)	56076-7613	1
PATTERN,FUEL TANK (Ref # 56076B)	56076-7614	2
PATTERN,FR FENDER (Ref # 56076C)	56076-7615	2
PATTERN,CNT BAG,LH (Ref # 56076D)	56076-7616	1
PATTERN,CNT BAG,RH (Ref # 56076E)	56076-7617	1