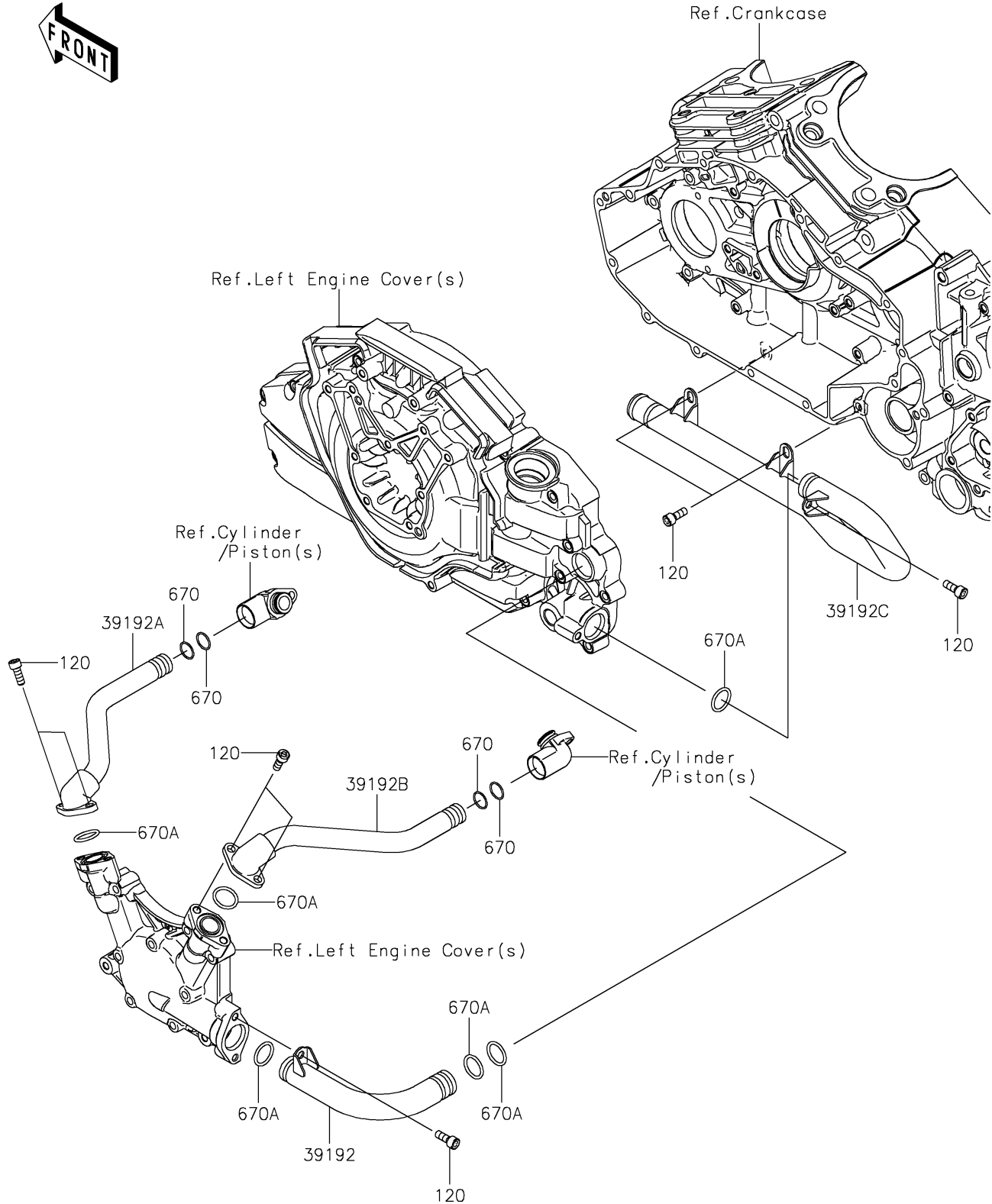


# 2025 Vulcan 1700 Vaquero ABS PARTS DIAGRAM

Water Pipe

E3037



## 2025 Vulcan 1700 Vaquero ABS PARTS LIST

### Water Pipe

ITEM NAME	PART NUMBER	QUANTITY
PIPE-WATER,COVER-W/P (Ref # 39192)	39192-0094	1
PIPE-WATER,COVER-FR CYL. (Ref # 39192A)	39192-0095	1
PIPE-WATER,COVER-RR CYL. (Ref # 39192B)	39192-0096	1
PIPE-WATER,W/P INLET (Ref # 39192C)	39192-0133	1
BOLT-SOCKET,6X16 (Ref # 120)	120CA0616	8
O RING,14MM (Ref # 670)	670B2014	4
O RING,18MM (Ref # 670A)	670B2018	6