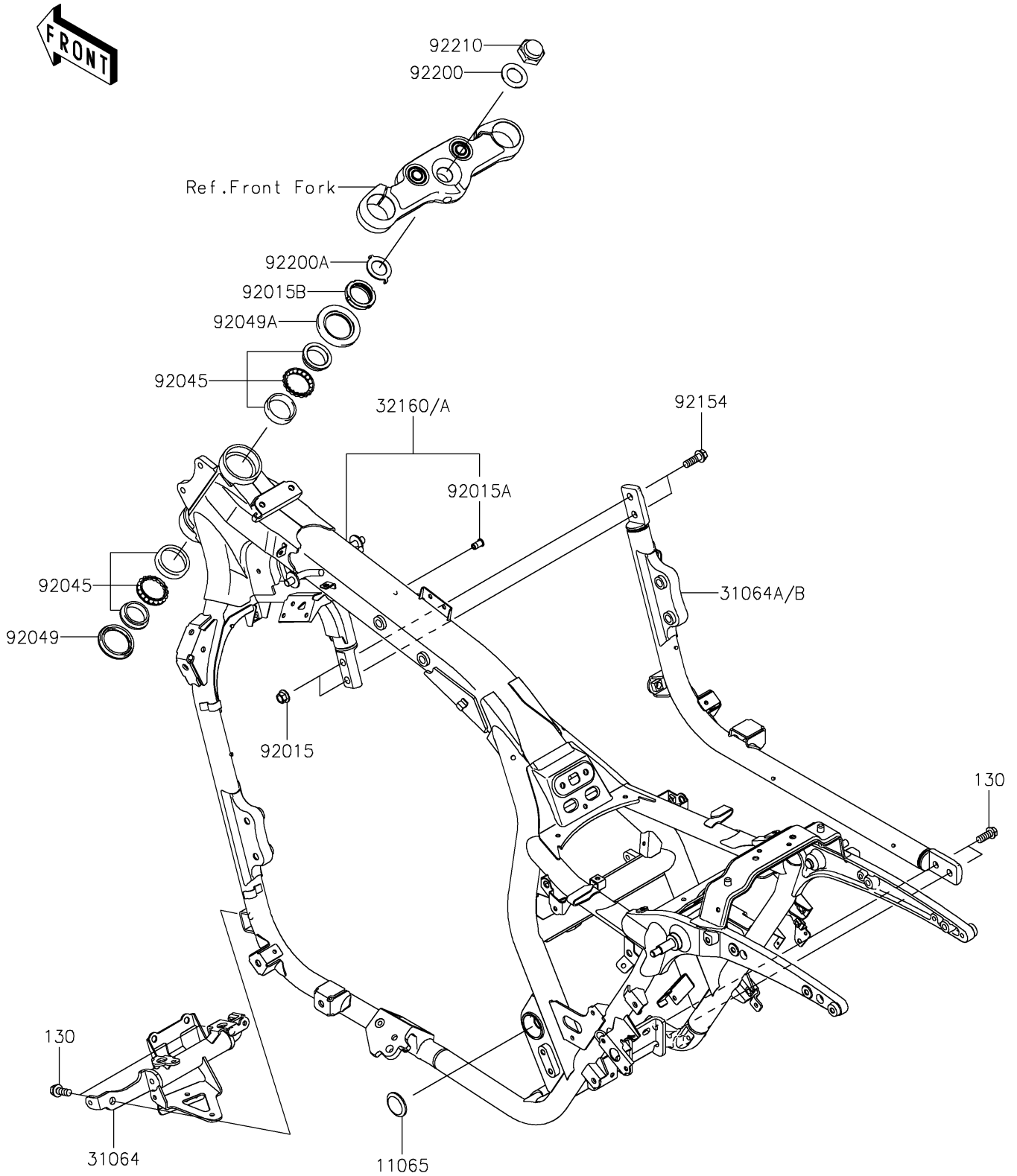


# 2025 Vulcan 1700 Vaquero ABS PARTS DIAGRAM

Frame

F2120



## 2025 Vulcan 1700 Vaquero ABS PARTS LIST

### Frame

ITEM NAME	PART NUMBER	QUANTITY
CAP (Ref # 11065)	11065-0320	1
PIPE-COMP,F.S.BLACK (Ref # 31064)	31064-0207-18R	1
PIPE-COMP,DOWNTUBE,RH,BLACK (Ref # 31064A)	31064-0209-18R	1
PIPE-COMP,DOWNTUBE,RH,F.M.GRAY (Ref # 31064B)	31064-0209-26M	1
FRAME-COMP,F.S.BLACK (Ref # 32160)	32160-0906-18R	1
FRAME-COMP,F.M.GRAY (Ref # 32160A)	32160-0906-26M	1
NUT,FLANGED,10MM (Ref # 92015)	92015-1727	2
NUT,POP,6MM,L=16.5 (Ref # 92015A)	92015-1792	1
NUT,STEERING STEM,35MM (Ref # 92015B)	92015-1848	1
BEARING-BALL,SF07A17PX1V1 (Ref # 92045)	92045-1384	2
SEAL-OIL,XMHE 43 55 4J (Ref # 92049)	92049-1383	1
SEAL-OIL,MX043N2 (Ref # 92049A)	92049-1483	1
BOLT,FLANGED,10X30 (Ref # 92154)	92154-0156	2
WASHER,25.5X42X2.3 (Ref # 92200)	92200-0105	1
WASHER,CLAW,25.5X40X2.3 (Ref # 92200A)	92200-1083	1
NUT,CAP,25MM (Ref # 92210)	92210-1166	1
BOLT-FLANGED,10X25 (Ref # 130)	130BB1025	4