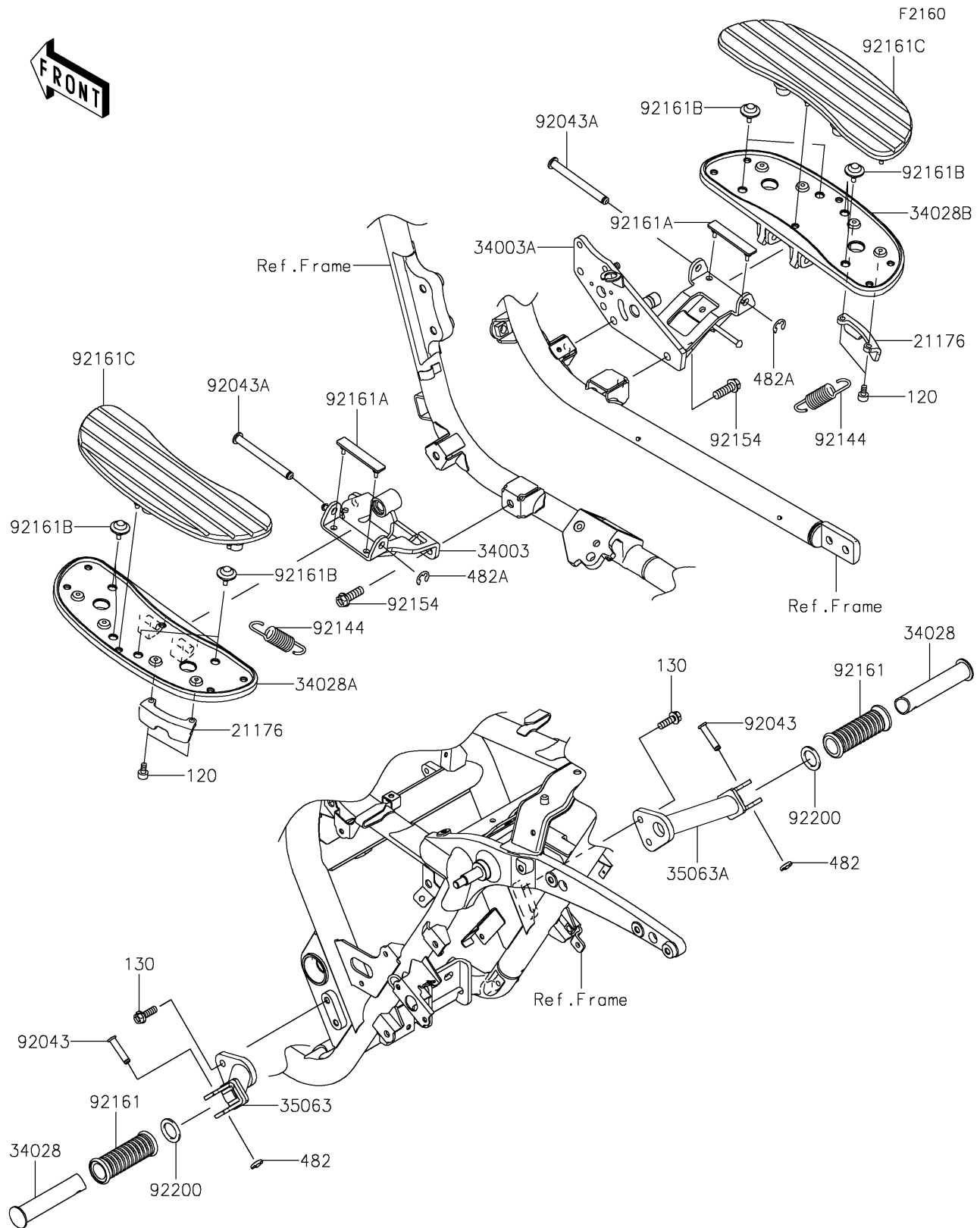


2025 Vulcan 1700 Vaquero ABS PARTS DIAGRAM

Footrests



2025 Vulcan 1700 Vaquero ABS PARTS LIST

Footrests

| ITEM NAME | PART NUMBER | QUANTITY |
|--|----------------|----------|
| SENSOR,BANK (Ref # 21176) | 21176-0123 | 2 |
| HOLDER-STEP,FR,LH,F.S.BLACK (Ref # 34003) | 34003-0102-18R | 1 |
| HOLDER-STEP,FR,RH,F.S.BLACK (Ref # 34003A) | 34003-0103-18R | 1 |
| STEP,RR (Ref # 34028) | 34028-0017 | 2 |
| STEP,FR,LH (Ref # 34028A) | 34028-0143 | 1 |
| STEP,FR,RH (Ref # 34028B) | 34028-0144 | 1 |
| STAY,LH,F.S.BLACK (Ref # 35063) | 35063-0724-18R | 1 |
| STAY,RH,F.S.BLACK (Ref # 35063A) | 35063-0725-18R | 1 |
| PIN,8X36.5 (Ref # 92043) | 92043-1339 | 2 |
| PIN,10X98.5 (Ref # 92043A) | 92043-1707 | 2 |
| SPRING (Ref # 92144) | 92144-1266 | 2 |
| BOLT,FLANGED,10X30 (Ref # 92154) | 92154-0284 | 4 |
| DAMPER,STEP (Ref # 92161) | 92161-0232 | 2 |
| DAMPER,STEP HOLDER (Ref # 92161A) | 92161-0746 | 2 |
| DAMPER,STEP (Ref # 92161B) | 92161-0766 | 8 |
| DAMPER,FOOT BOARD (Ref # 92161C) | 92161-0770 | 2 |
| WASHER,22.5X33X2.3 (Ref # 92200) | 92200-1482 | 2 |
| BOLT-SOCKET,6X16 (Ref # 120) | 120CB0616 | 4 |
| BOLT-FLANGED,8X25 (Ref # 130) | 130BB0825 | 4 |
| CIRCLIP-TYPE-E (Ref # 482) | 482EA7000 | 2 |
| CIRCLIP-TYPE-E,8MM (Ref # 482A) | 482EA8000 | 2 |