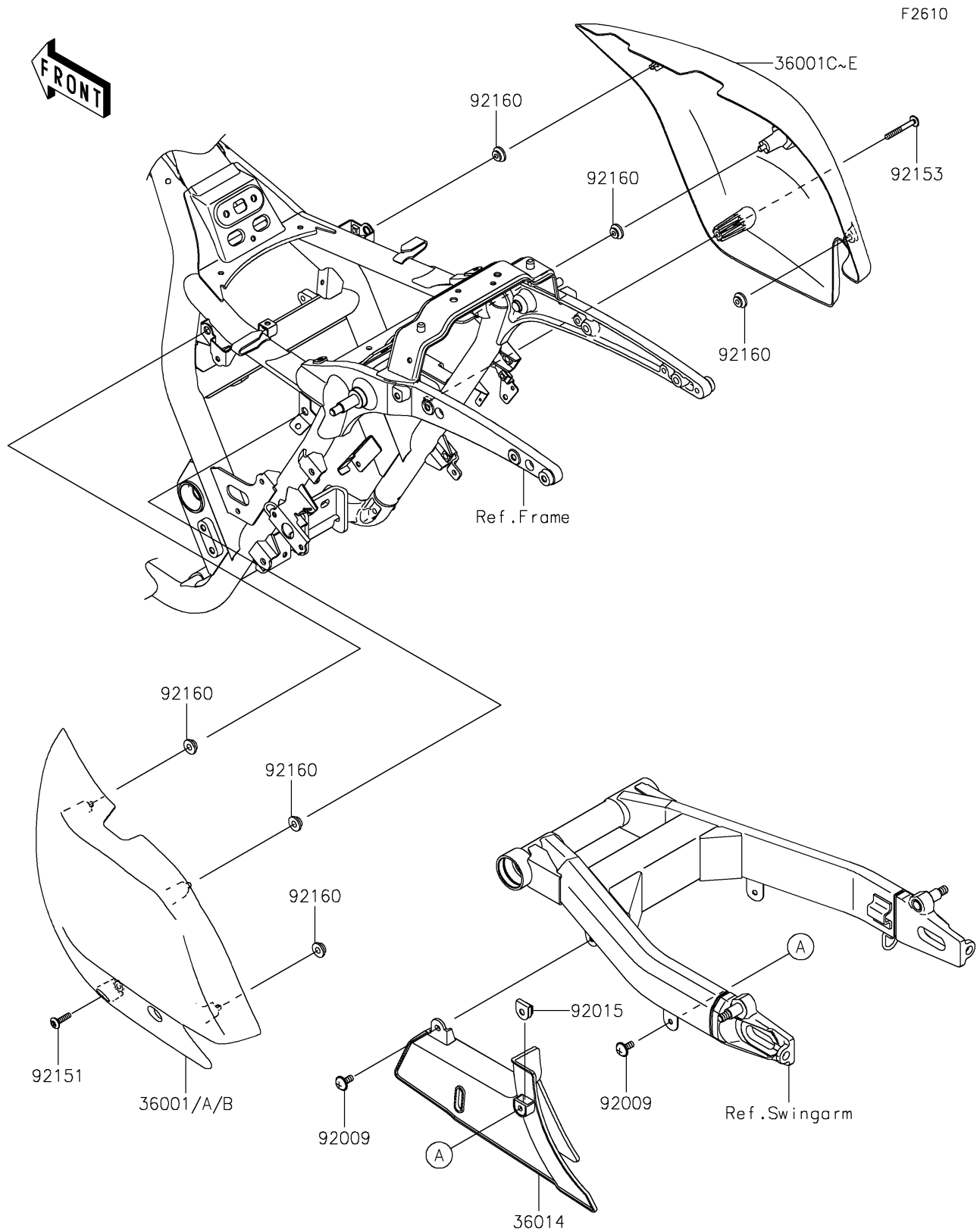


2023 Vulcan 1700 Vaquero ABS PARTS DIAGRAM

Side Covers/Chain Cover



2023 Vulcan 1700 Vaquero ABS PARTS LIST

Side Covers/Chain Cover

| ITEM NAME | PART NUMBER | QUANTITY |
|---|----------------|----------|
| COVER-SIDE,LH,M.M.G.GRAY (Ref # 36001A) | 36001-0218-68P | 1 |
| COVER-SIDE,RH,M.M.G.GRAY (Ref # 36001D) | 36001-0219-68P | 1 |
| CASE-CHAIN (Ref # 36014) | 36014-0042 | 1 |
| SCREW,6X14 (Ref # 92009) | 92009-1555 | 2 |
| NUT,CLIP,6MM (Ref # 92015) | 92015-1904 | 1 |
| BOLT,SOCKET,6X25 (Ref # 92151) | 92151-1611 | 1 |
| BOLT,SOCKET,6X50 (Ref # 92153) | 92153-1842 | 1 |
| DAMPER (Ref # 92160) | 92160-1613 | 6 |