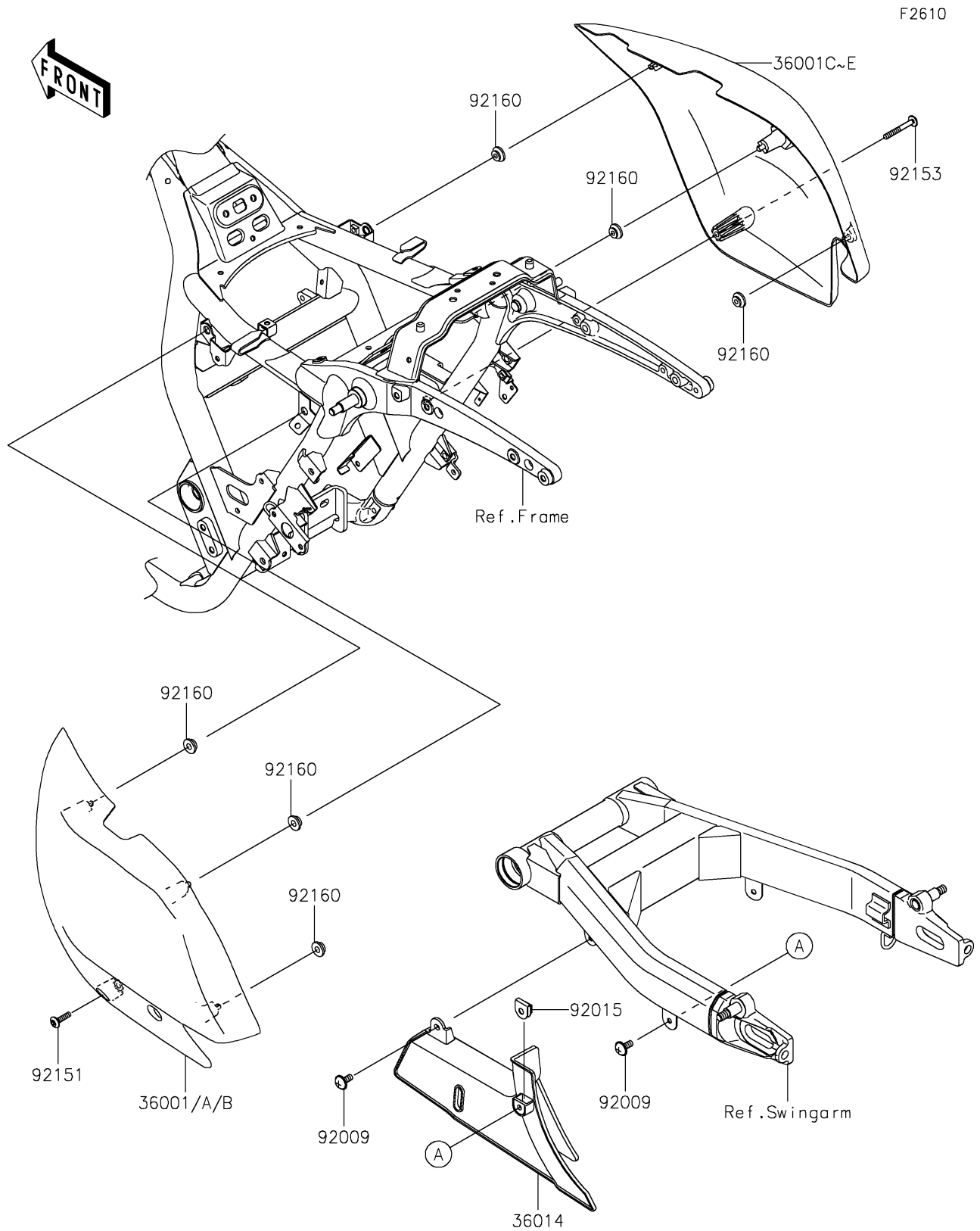


# 2024 VULCAN® 1700 VAQUERO® ABS PARTS DIAGRAM

Side Covers/Chain Cover



## 2024 VULCAN® 1700 VAQUERO® ABS PARTS LIST

### Side Covers/Chain Cover

ITEM NAME	PART NUMBER	QUANTITY
COVER-SIDE,LH,M.M.T.BLUE (Ref # 36001)	36001-0218-68M	1
COVER-SIDE,RH,M.M.T.BLUE (Ref # 36001C)	36001-0219-68M	1
CASE-CHAIN (Ref # 36014)	36014-0042	1
SCREW,6X14 (Ref # 92009)	92009-1555	2
NUT,CLIP,6MM (Ref # 92015)	92015-1904	1
BOLT,SOCKET,6X25 (Ref # 92151)	92151-1611	1
BOLT,SOCKET,6X50 (Ref # 92153)	92153-1842	1
DAMPER (Ref # 92160)	92160-1613	6