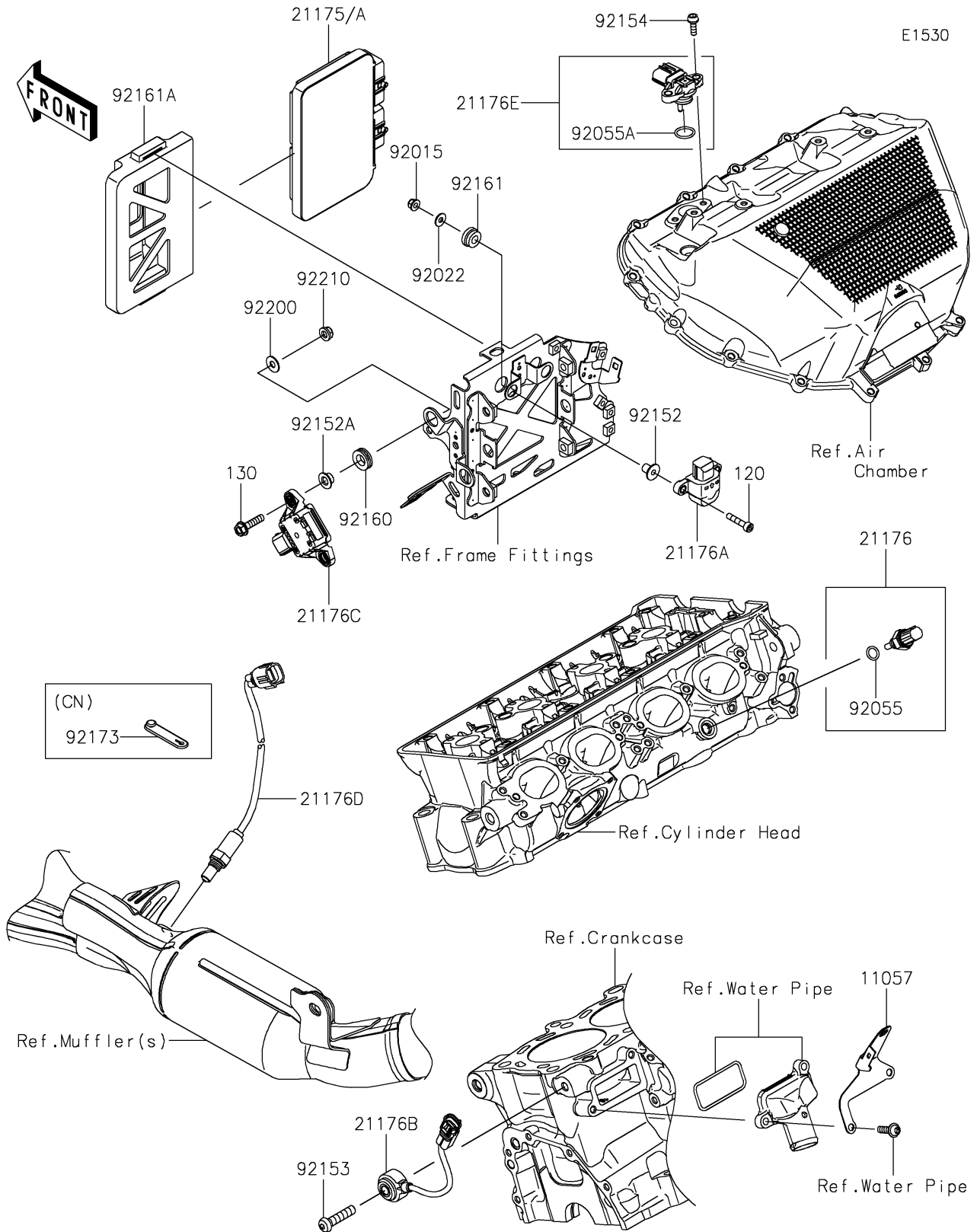


2022 Z H2 SE PARTS DIAGRAM

Fuel Injection



2022 Z H2 SE PARTS LIST

Fuel Injection

ITEM NAME	PART NUMBER	QUANTITY
BRACKET,KNOCK SENSOR (Ref # 11057)	11057-4175	1
CONTROL UNIT-ELECTRONIC (Ref # 21175)	21175-1586	1
CONTROL UNIT-ELECTRONIC (Ref # 21175A)	21175-1587	1
SENSOR,WATER TEMP (Ref # 21176)	21176-0009	1
SENSOR,VEHICLE-DOWN (Ref # 21176A)	21176-0026	1
SENSOR,KNOCK (Ref # 21176B)	21176-0788	1
SENSOR,INERTIAL (Ref # 21176C)	21176-0878	1
SENSOR,OXYGEN (Ref # 21176D)	21176-0938	1
SENSOR,INTAKE TEMP&PRESSURE (Ref # 21176E)	21176-0982	1
NUT,LOCK,FLANGED,5MM (Ref # 92015)	92015-1752	2
WASHER,5.2X13X1 (Ref # 92022)	92022-1380	2
RING-O,9.5X1.9 (Ref # 92055)	92055-0016	1
RING-O (Ref # 92055A)	92055-0842	1
COLLAR (Ref # 92152)	92152-1625	2
COLLAR,6.5X16X7.3 (Ref # 92152A)	92152-2336	2
BOLT,SOCKET,8X35 (Ref # 92153)	92153-0419	1
BOLT,SOCKET,5X16 (Ref # 92154)	92154-1449	2
DAMPER (Ref # 92160)	92160-1278	2
DAMPER (Ref # 92161)	92161-1187	2
DAMPER,ECU (Ref # 92161A)	92161-2140	1
CLAMP (Ref # 92173)	92173-2198	1
WASHER,6.5X16X1.0 (Ref # 92200)	92200-3712	2
NUT,LOCK,FLANGED,6MM (Ref # 92210)	92210-0303	2
BOLT-SOCKET,5X25 (Ref # 120)	120R0525	2
BOLT-FLANGED,6X25 (Ref # 130)	130BA0625	2