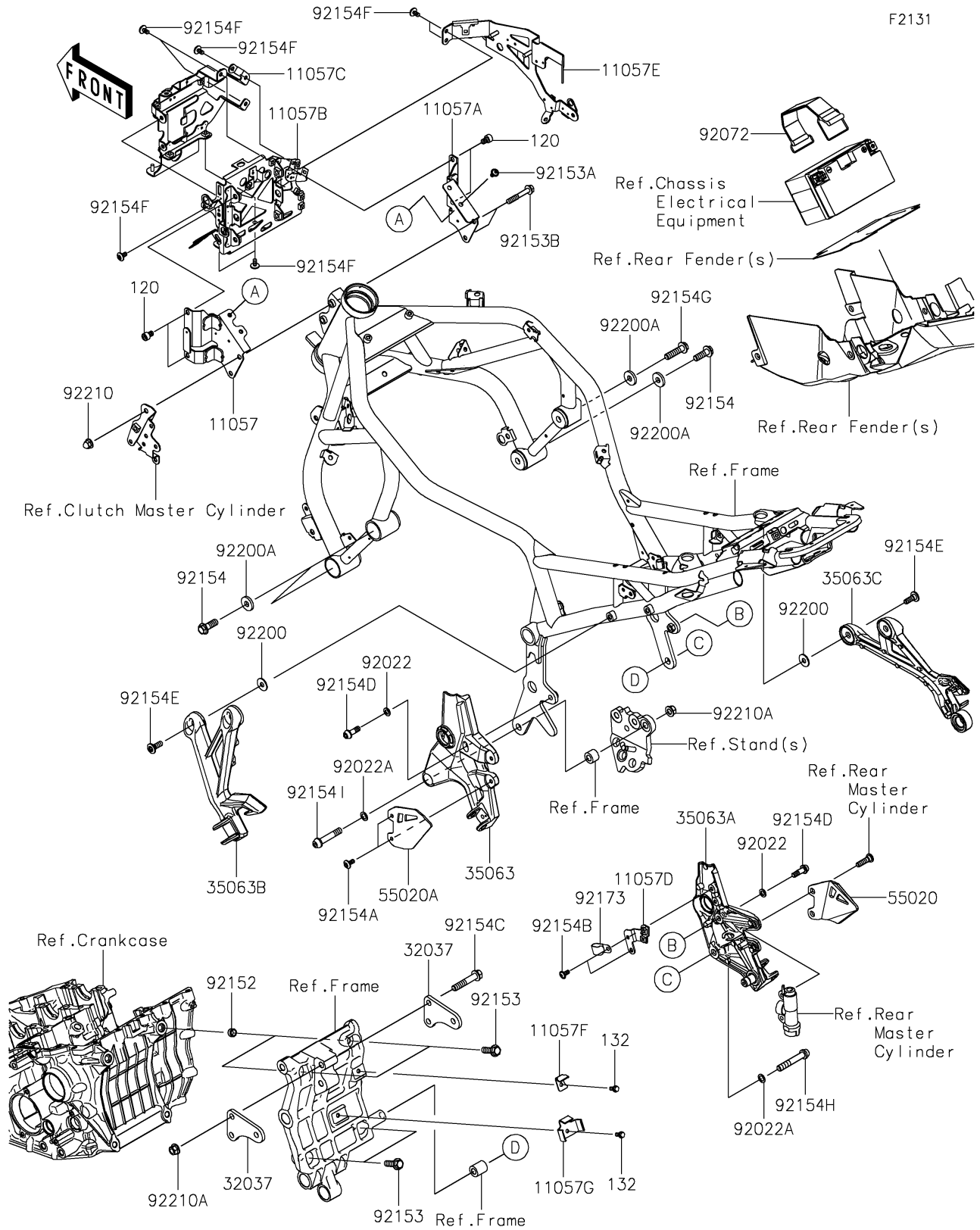


2025 Z H2 SE PARTS DIAGRAM

Frame Fittings



2025 Z H2 SE PARTS LIST

Frame Fittings

ITEM NAME	PART NUMBER	QUANTITY
BRACKET,HEAD LAMP,RR,LH (Ref # 11057)	11057-2920	1
BRACKET,HEAD LAMP,RR,RH (Ref # 11057A)	11057-2921	1
BRACKET,HEAD LAMP,MID (Ref # 11057B)	11057-2922	1
BRACKET,HEAD LAMP,FR (Ref # 11057C)	11057-2923	1
BRACKET,RR RESERVOIR TANK (Ref # 11057D)	11057-2925	1
BRACKET,SHROUD,LH (Ref # 11057E)	11057-7039	1
BRACKET (Ref # 11057F)	11057-7524	1
BRACKET,EXHAUST DEVICE CABLE (Ref # 11057G)	11057-7667	1
BRACKET-SHOCKABSORBER (Ref # 32037)	32037-0460	2
STAY,STEP,FR,LH,F.S.BLACK (Ref # 35063)	35063-1495-18R	1
STAY,STEP,FR,RH,F.S.BLACK (Ref # 35063A)	35063-1496-18R	1
STAY,STEP,RR,LH,F.S.BLACK (Ref # 35063B)	35063-1497-18R	1
STAY,STEP,RR,RH,F.S.BLACK (Ref # 35063C)	35063-1498-18R	1
GUARD,FR STEP,RH (Ref # 55020)	55020-1944	1
GUARD,FR STEP,LH (Ref # 55020A)	55020-2284	1
WASHER,8.5X14.5X1.6 (Ref # 92022)	92022-1470	2
WASHER,10.2X16X1 (Ref # 92022A)	92022-1829	2
BAND,BATTERY (Ref # 92072)	92072-0878	1
COLLAR,DOWEL PIN (Ref # 92152)	92152-0679	2
BOLT,FLANGED,10X30 (Ref # 92153)	92153-0801	4
BOLT,SOCKET,6X12 (Ref # 92153A)	92153-1617	2
BOLT,8X50 (Ref # 92153B)	92153-7073	2
BOLT,FLANGED,10X30 (Ref # 92154)	92154-0543	3
BOLT,SOCKET,6X14 (Ref # 92154A)	92154-0745	2
BOLT,SOCKET,6X14 (Ref # 92154B)	92154-0856	2
BOLT,FLANGED,10X54 (Ref # 92154C)	92154-0903	3
BOLT,SOCKET,8X25 (Ref # 92154D)	92154-1557	2
BOLT,SOCKET,8X23 (Ref # 92154E)	92154-1901	4
BOLT,SOCKET,6X12 (Ref # 92154F)	92154-2706	8

2025 Z H2 SE PARTS LIST

Frame Fittings

ITEM NAME	PART NUMBER	QUANTITY
BOLT,FLANGED,10X40 (Ref # 92154G)	92154-2924	1
BOLT,SOCKET,10X60 (Ref # 92154H)	92154-4044	1
BOLT,SOCKET,10X52 (Ref # 92154I)	92154-4045	1
CLAMP,68MM (Ref # 92173)	92173-1009	1
WASHER,8.5X23X1.6 (Ref # 92200)	92200-1936	4
WASHER,10.5X26X4 (Ref # 92200A)	92200-3798	4
NUT,CAP,8MM (Ref # 92210)	92210-1132	1
NUT,LOCK,FLANGED,10MM (Ref # 92210A)	92210-1139	4
BOLT-SOCKET,8X12 (Ref # 120)	120CA0812	4
BOLT-FLANGED-SMALL,6X12 (Ref # 132)	132BA0612	2