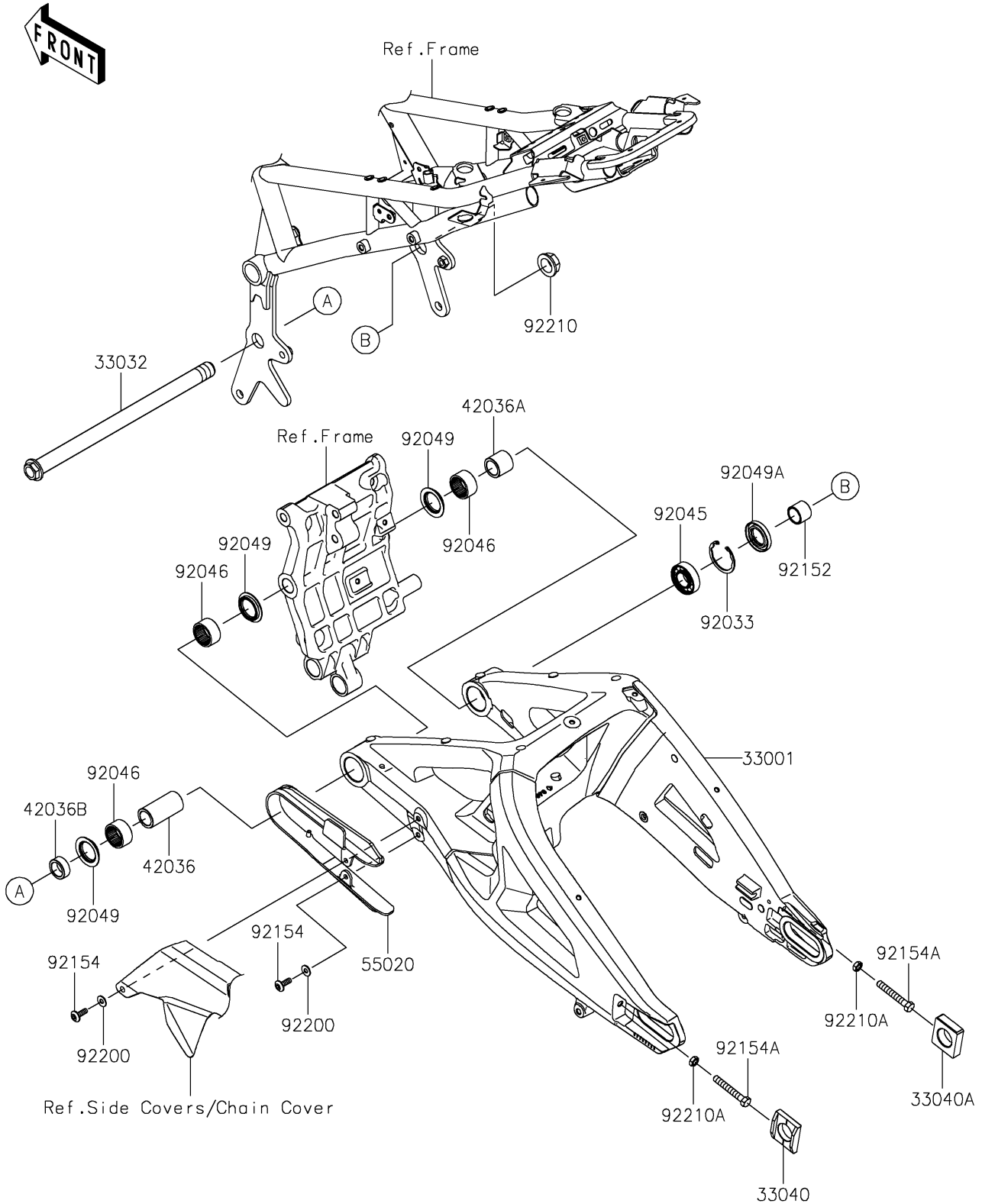


2022 Z H2 SE PARTS DIAGRAM

Swingarm

F2141



2022 Z H2 SE PARTS LIST

Swingarm

| ITEM NAME | PART NUMBER | QUANTITY |
|--|-------------|----------|
| ARM-COMP-SWING (Ref # 33001) | 33001-0722 | 1 |
| SHAFT-SWING ARM (Ref # 33032) | 33032-0063 | 1 |
| ADJUSTER-CHAIN,LH (Ref # 33040) | 33040-0107 | 1 |
| ADJUSTER-CHAIN,RH (Ref # 33040A) | 33040-1114 | 1 |
| SLEEVE,20.1X28X56.5 (Ref # 42036) | 42036-0757 | 1 |
| SLEEVE,20.1X28X25.7 (Ref # 42036A) | 42036-0762 | 1 |
| SLEEVE,20.1X28X10.7 (Ref # 42036B) | 42036-0846 | 1 |
| GUARD,CHAIN (Ref # 55020) | 55020-0561 | 1 |
| RING-SNAP,42MM (Ref # 92033) | 92033-1041 | 1 |
| BEARING-BALL,6004UL11 (Ref # 92045) | 92045-0017 | 1 |
| BEARING-NEEDLE,7E-HVS 28X34X17 (Ref # 92046) | 92046-0008 | 3 |
| SEAL-OIL,28X34X5.7 (Ref # 92049) | 92049-1181 | 3 |
| SEAL-OIL,MHSA25X42X6 (Ref # 92049A) | 92049-1314 | 1 |
| COLLAR,20.2X25X19.5 (Ref # 92152) | 92152-2637 | 1 |
| BOLT,SOCKET,6X18 (Ref # 92154) | 92154-1694 | 2 |
| BOLT-SMALL,8X55 (Ref # 92154A) | 92154-1962 | 2 |
| WASHER,6.2X15X1.2 (Ref # 92200) | 92200-1762 | 2 |
| NUT,FLANGED,20MM (Ref # 92210) | 92210-0320 | 1 |
| NUT-HEX-SMALL,8MM (Ref # 92210A) | 92210-1459 | 2 |